

ECONOMIC
INDICATORS
WESTERN
ECONOMIC
INDICATORS
WESTERN
ECONOMIC
INDICATORS
WESTERN

FEDERAL RESERVE BANK
OF SAN FRANCISCO

JAN 27 1982

LIBRARY

LIBRARY COPY

Federal Reserve Bank
of San Francisco

Number 4, 1981

Table of Contents

- A INCOME AND TRADE
 - A- 2 Personal Income: Twelfth District and Alaska
 - A- 3 Personal Income: Arizona and California
 - A- 4 Personal Income: Hawaii and Idaho
 - A- 5 Personal Income: Nevada and Oregon
 - A- 6 Personal Income: Utah and Washington
 - A- 7 Export-Import Trade by Means of Transportation
 - A- 8 Export-Import Trade by Commodity Group
 - A- 9 Retail Sales
 - A-10 Consumer Price Indexes

- B EMPLOYMENT AND EARNINGS
 - B- 2 Total Civilian Employment Seas. Adj.
 - B- 3 Unemployment Rates Seas. Adj.
 - B- 4 Nonfarm Payroll Employment Seas. Adj.
 - B- 5 Hourly Earnings and Wage Rates

- C PRODUCTION
 - C- 2 Production Indexes, by Industry
 - C- 3 Prime Contract Awards: Defense
 - C- 4 Procurement Awards: Space
 - C- 5 Receipts from Farm Marketings
 - C- 6 Farm Prices, by Commodity

- D CONSTRUCTION
 - D- 2 Construction Contract Awards
 - D- 3 Residential Building Activity
 - D- 4 Residential Housing Activity
 - D- 5 Rents and Homeownership Costs

- E COMMERCIAL BANKING
 - E- 2 Member Bank Borrowings and Reserves
 - E- 3 Federal Funds Transactions
 - E- 4 Bank Credit and Deposits: Twelfth District
 - E- 5 Bank Credit and Deposits: California
 - E- 6 Member Bank Deposits: Twelfth District
 - E- 7 Loans of Large Commercial Banks
 - E- 8 Investments of large Commercial Banks
 - E- 9 Deposits of Large Commercial Banks
 - E-10 Member Bank Data: Twelfth District
 - E-11 Member Bank Data: Alaska
 - E-12 Member Bank Data: Arizona
 - E-13 Member Bank Data: California
 - E-14 Member Bank Data: Idaho
 - E-15 Member Bank Data: Nevada
 - E-16 Member Bank Data: Oregon
 - E-17 Member Bank Data: Utah
 - E-18 Member Bank Data: Washington
 - E-19 Consumer Credit—Outstanding
 - E-20 Consumer Credit—Volume

Highlights of this Issue

- Employment figures for November showed a contrast between California and the United States as a whole. The U.S. numbers declined from the summer months while California recouped some of its losses. Western employment gains took place mainly in the trade and services sectors, while manufacturing and construction weakened (B-2,4) . . . Nevertheless, the unemployment rates for both California and the nation continued to climb—to 8.2 and 8.4 percent, respectively (B-3).
- Housing starts have dropped steadily in both the West and the U.S. during most of 1981. . . .Construction declines have centered in residential building, while nonbuilding projects have still shown strength (D-2,3).
- Banks were busy this fall in California and the Twelfth District as a whole, servicing an increasing number of loans for both business and real estate. Banks generally reduced their holdings of U.S. Treasury securities while adding other securities to their portfolios (E-4,5) . . . Member bank borrowings from the Fed were up in November to \$52 million on a daily average basis, as compared with a low for the year of \$9 million (daily average) in October. But credit activity was still far below the high mid-summer borrowings (E-2).

Western Economic Indicators is prepared in the Research Department of the Federal Reserve Bank of San Francisco. The publication is edited by Karen Rusk with artwork by William Rosenthal. Additional copies of this publication are available upon request to the Public Information Section, Federal Reserve Bank of San Francisco, P.O. Box 7702, San Francisco, California 94120.

INCOME AND TRADE



PERSONAL INCOME BY SOURCE
MILLIONS OF DOLLARS
SEASONALLY ADJUSTED ANNUAL RATE

TWELFTH DISTRICT										
	TOTAL PERSONAL INCOME	WAGES AND SALARIES		OTHER LABOR INCOME	PROPRIETORS INCOME		PROPERTY INCOME	TRANSFER PAYMENTS	LESS: PERSONAL CONTRIB FOR SOCIAL INSUR	
		PRIVATE	GOVERNMENT		FARM	NONFARM				
1974	188,690	94,516	30,397	8,172	4,350	10,656	24,834	24,030	8,111	
1975	210,297	101,395	34,411	9,910	3,514	11,481	28,436	30,203	8,827	
1976	235,069	114,297	37,343	11,909	3,260	13,791	31,580	33,363	9,990	
1977	263,305	129,374	40,373	14,608	2,444	16,258	35,699	35,996	11,161	
1978	300,833	150,143	43,916	17,317	3,509	18,292	41,757	38,996	12,894	
1979	345,337	174,583	47,374	20,355	4,552	21,113	49,076	43,372	14,885	
1980	387,736	193,164	51,216	23,878	3,633	22,599	58,077	51,036	16,127	
1980	I	374,548	188,051	49,958	22,745	3,506	22,500	54,608	47,224	15,873
	II	380,486	199,567	50,825	23,616	3,405	21,399	57,492	48,582	15,270
	III	391,335	193,251	51,098	24,246	3,637	22,813	59,288	53,699	16,370
	IV	404,576	200,788	52,982	24,905	3,894	23,685	60,921	54,639	16,996
1981	I	417,221	208,669	53,870	25,731	3,749	24,061	64,573	55,936	19,123
	II	426,136	212,317	54,583	26,455	4,181	24,047	67,434	56,658	19,288
ALASKA										
1974	2,436	1,299	870	100	1	120	168	239	137	
1975	3,514	2,498	983	176	3	144	244	287	175	
1976	4,195	3,194	1,090	244	2	195	296	291	204	
1977	4,297	2,645	1,178	285	3	234	315	344	234	
1978	4,312	2,375	1,299	299	2	234	310	367	226	
1979	4,532	2,376	1,388	333	2	254	359	367	258	
1980	4,966	2,608	1,449	391	1	275	444	411	292	
1980	I	4,824	2,547	1,434	369	2	274	414	383	286
	II	4,754	2,488	1,387	378	2	256	439	392	279
	III	4,990	2,620	1,431	402	1	275	455	424	294
	IV	5,296	2,776	1,543	416	1	296	470	445	309
1981	I	5,450	2,869	1,583	428	1	303	503	458	345
	II	5,638	3,029	1,581	459	1	303	528	469	361

PERSONAL INCOME BY SOURCE
MILLIONS OF DOLLARS
SEASONALLY ADJUSTED ANNUAL RATE

ARIZONA		TOTAL PERSONAL INCOME	WAGES AND SALARIES PRIVATE GOVERNMENT		OTHER LABOR INCOME	PROPRIETORS INCOME FARM NONFARM		PROPERTY INCOME	TRANSFER PAYMENTS	LESS: PERSONAL CONTRIB FOR SOCIAL INSUR
1974		11,066	5,457	1,806	491	240	492	1,614	1,411	431
1975		11,924	5,473	2,023	590	131	446	1,823	1,868	446
1976		13,251	5,986	2,288	696	261	487	2,017	2,069	536
1977		15,053	6,917	2,511	833	231	608	2,353	2,252	628
1978		17,519	8,387	2,801	1,006	172	686	2,699	2,539	750
1979		20,674	10,239	3,077	1,221	280	751	3,136	2,861	866
1980		23,521	11,543	3,348	1,461	240	774	3,762	3,388	962
1980	I	22,557	11,225	3,246	1,381	237	784	3,532	3,121	937
	II	23,134	11,468	3,317	1,470	202	733	3,721	3,215	959
	III	23,720	11,406	3,332	1,452	323	778	3,840	3,574	953
	IV	24,672	12,175	3,406	1,541	197	803	3,955	3,641	1,000
1981	I	25,665	12,647	3,538	1,615	287	909	4,204	3,733	1,132
	II	26,099	12,880	3,523	1,664	209	801	4,401	3,801	1,142
CALIFORNIA										
1974		125,562	63,573	19,559	5,599	2,374	7,296	16,580	16,107	5,336
1975		139,479	67,269	22,151	6,724	2,105	7,705	19,012	20,170	5,746
1976		155,583	75,313	23,835	8,057	2,085	9,358	21,035	22,325	6,584
1977		174,027	85,694	25,601	9,822	1,554	11,000	23,638	23,984	7,323
1978		198,111	99,163	27,600	11,619	2,044	12,140	28,105	25,836	9,452
1979		227,791	115,068	29,565	13,606	2,874	14,385	33,322	28,656	9,747
1980		255,647	126,807	31,933	15,909	2,427	15,536	39,295	33,551	10,382
1980	I	247,223	123,435	31,177	15,244	2,106	15,384	36,929	31,150	10,269
	II	251,276	125,171	31,763	15,719	2,472	14,790	38,970	31,924	9,590
	III	257,838	126,916	31,821	16,152	2,429	15,696	40,101	35,269	10,619
	IV	266,252	131,708	32,971	16,530	2,700	16,274	41,182	35,861	11,052
1981	I	274,178	136,763	33,566	17,071	2,364	16,467	43,603	36,695	12,438
	II	280,754	139,661	34,121	17,600	2,866	16,497	45,507	37,005	12,591

PERSONAL INCOME BY SOURCE
MILLIONS OF DOLLARS
SEASONALLY ADJUSTED ANNUAL RATE

		HAWAII									
		TOTAL PERSONAL INCOME	WAGES AND SALARIES PRIVATE GOVERNMENT		OTHER LABOR INCOME	PROPRIETORS INCOME FARM NONFARM		PROPERTY INCOME	TRANSFER PAYMENTS	LESS: PERSONAL CONTRIB FOR SOCIAL INSUR	
1974		5,173	2,345	1,345	193	65	222	684	548	230	
1975		5,742	2,464	1,498	244	37	210	784	703	254	
1976		6,209	2,682	1,609	280	39	236	822	820	281	
1977		6,796	2,911	1,731	325	67	276	912	875	302	
1978		7,525	3,300	1,855	377	75	315	1,004	937	339	
1979		8,371	3,795	1,921	436	75	342	1,155	1,036	389	
1980		9,371	4,211	2,074	514	63	361	1,363	1,218	433	
1980	I	9,024	4,113	2,013	488	62	361	1,290	1,121	424	
	II	9,136	4,139	2,010	504	62	342	1,352	1,153	427	
	III	9,477	4,209	2,083	524	61	364	1,389	1,282	434	
	IV	9,849	4,383	2,191	539	67	379	1,423	1,315	448	
1981	I	10,057	4,513	2,194	552	61	390	1,506	1,350	499	
	II	10,221	4,543	2,216	561	70	378	1,570	1,376	498	
		IDAHO									
1974		4,001	1,731	508	155	574	264	488	455	156	
1975		4,235	1,925	604	196	257	286	531	564	178	
1976		4,765	2,252	676	239	143	346	634	641	200	
1977		5,345	2,556	746	281	129	397	725	696	220	
1978		6,160	2,937	824	330	293	436	808	744	255	
1979		6,975	3,286	887	380	347	475	935	848	296	
1980		7,682	3,675	935	452	272	500	1,124	1,011	335	
1980	I	7,304	3,435	945	412	289	501	1,054	934	314	
	II	7,502	3,628	928	448	227	467	1,111	978	332	
	III	7,777	3,734	899	465	263	502	1,149	1,060	341	
	IV	8,145	3,903	970	482	309	531	1,194	1,073	353	
1981	I	8,487	4,084	990	502	354	555	1,261	1,094	400	
	II	8,567	4,058	1,005	505	367	539	1,321	1,118	394	

PERSONAL INCOME BY SOURCE
MILLIONS OF DOLLARS
SEASONALLY ADJUSTED ANNUAL RATE

NEVADA		TOTAL PERSONAL INCOME	WAGES AND SALARIES PRIVATE GOVERNMENT		OTHER LABOR INCOME	PROPRIETORS INCOME FARM NONFARM		PROPERTY INCOME	TRANSFER PAYMENTS	LESS: PERSONAL CONTRIB FOR SOCIAL INSUR
1974		3,480	2,051	539	117	23	153	447	368	150
1975		3,917	2,209	602	146	22	154	501	499	161
1976		4,483	2,513	677	175	18	209	581	564	169
1977		5,269	2,980	752	218	9	267	693	646	193
1978		6,333	3,695	846	268	19	313	835	731	229
1979		7,367	4,364	929	324	37	343	972	833	267
1980		8,373	4,920	1,020	374	19	366	1,174	1,000	299
1980	I	8,109	4,847	981	310	26	365	1,096	910	297
	II	8,115	4,743	1,001	377	18	344	1,159	947	291
	III	8,451	4,974	1,021	397	18	370	1,200	1,060	299
	IV	8,819	5,116	1,077	411	16	386	1,240	1,085	311
1981	I	9,182	5,371	1,095	430	14	393	1,323	1,118	353
	II	9,394	5,477	1,103	446	14	394	1,389	1,142	357
OREGON										
1974		11,980	6,137	1,566	530	348	881	1,583	1,607	549
1975		13,166	6,483	1,803	623	236	894	1,823	2,025	590
1976		14,930	7,422	2,000	772	205	1,009	2,089	2,200	644
1977		17,110	8,544	2,195	1,116	80	1,249	2,444	2,413	739
1978		19,808	10,023	2,432	1,346	194	1,483	2,825	2,636	868
1979		22,460	11,459	2,667	1,577	276	1,619	3,252	2,946	1,006
1980		24,613	12,151	2,843	1,773	175	1,683	3,879	3,519	1,074
1980	I	24,061	12,180	2,799	1,728	207	1,711	3,644	3,216	1,078
	II	24,146	11,898	2,881	1,742	189	1,597	3,837	3,385	1,055
	III	24,741	12,021	2,818	1,787	144	1,684	3,960	3,721	1,065
	IV	25,506	12,506	2,874	1,836	160	1,739	4,077	3,755	1,098
1981	I	26,185	12,803	2,927	1,869	187	1,777	4,334	3,847	1,215
	II	26,757	12,960	2,995	1,914	199	1,770	4,534	3,951	1,220

PERSONAL INCOME BY SOURCE
MILLIONS OF DOLLARS
SEASONALLY ADJUSTED ANNUAL RATE

UTAH		TOTAL PERSONAL INCOME	WAGES AND SALARIES PRIVATE GOVERNMENT		OTHER LABOR INCOME	PROPRIETORS INCOME FARM NONFARM	PROPERTY INCOME	TRANSFER PAYMENTS	LESS: PERSONAL CONTRIB FOR SOCIAL INSUR
1974		5,258	2,634	994	248	73 295	639	610	235
1975		5,896	2,829	1,117	309	47 307	752	767	260
1976		6,627	3,269	1,231	373	62 359	794	841	306
1977		7,551	3,756	1,374	443	42 444	915	926	352
1978		8,666	4,381	1,517	525	78 530	1,013	1,026	408
1979		9,819	5,083	1,631	620	59 580	1,163	1,150	472
1980		10,921	5,592	1,747	727	30 593	1,385	1,357	517
1980	I	10,567	5,487	1,698	692	40 597	1,305	1,253	508
	II	10,695	5,514	1,703	721	37 561	1,371	1,294	512
	III	11,001	5,560	1,757	729	23 599	1,413	1,431	516
	IV	11,421	5,809	1,829	768	22 617	1,452	1,452	534
1981	I	11,740	6,015	1,855	791	21 628	1,541	1,480	568
	II	11,939	6,060	1,890	806	25 626	1,610	1,513	597
WASHINGTON									
1974		19,733	9,278	3,208	749	692 1,132	2,629	2,684	887
1975		22,422	11,243	3,629	902	675 1,334	2,965	3,313	1,017
1976		25,026	11,666	3,936	1,072	443 1,590	3,310	3,612	1,066
1977		27,854	13,373	4,284	1,284	329 1,781	3,703	3,861	1,170
1978		32,398	15,921	4,739	1,544	631 2,156	4,156	4,180	1,368
1979		37,417	18,911	5,308	1,857	601 2,363	4,780	4,674	1,583
1980		42,641	21,656	5,867	2,277	405 2,509	5,649	5,580	1,831
1980	I	40,879	20,782	5,665	2,121	537 2,523	5,344	5,136	1,760
	II	41,728	21,518	5,835	2,266	286 2,309	5,532	5,294	1,825
	III	43,340	21,811	5,936	2,338	376 2,545	5,781	5,878	1,849
	IV	44,616	22,512	6,031	2,382	422 2,660	5,938	6,012	1,891
1981	I	46,277	23,604	6,122	2,473	460 2,749	6,299	6,157	2,143
	II	46,771	23,644	6,149	2,501	430 2,739	6,574	6,283	2,128

EXPORT-IMPORT TRADE BY MEANS OF TRANSPORTATION-WESTERN CUSTOMS REGION
MILLIONS OF DOLLARS
SEASONALLY ADJUSTED

1				2			
-----EXPORTS-----				-----IMPORTS-----			
	ALL MEANS OF TRANSPORTATION	BY VESSEL	BY AIR	ALL MEANS OF TRANSPORTATION	BY VESSEL	BY AIR	
1971	7,198.6	3,215.3	1,183.8	7,728.4	5,521.5	518.1	
1972	8,072.1	3,931.6	1,451.9	9,969.5	7,568.6	1,299.8	
1973	12,879.0	7,101.6	2,049.6	12,971.0	10,062.9	1,796.3	
1974	17,573.6	9,355.9	2,945.5	19,723.3	15,209.4	2,270.9	
1975	19,076.6	9,806.7	2,965.9	19,277.8	14,543.4	2,379.7	
1976	20,408.6	11,006.8	3,774.9	24,619.7	20,034.3	3,239.5	
1977	20,684.3	11,345.3	4,097.4	29,968.2	25,912.2	3,429.0	
1978	25,950.6	14,131.9	5,726.6	34,229.1	28,696.0	4,633.4	
1979	37,657.2	19,003.2	7,628.2	40,225.6	34,405.7	5,273.5	
1980	47,799.3	24,161.0	9,500.3	47,641.8	40,519.4	6,873.6	
1980	APP	4,045.6	2,033.7	696.4	4,565.6	3,795.4	519.9
	MAY	3,871.4	1,862.7	876.5	3,803.8	3,421.5	472.0
	JUNE	4,046.2	2,041.4	839.8	3,538.7	3,235.5	678.3
	JULY	3,925.4	2,061.8	749.9	4,018.6	3,955.7	628.2
	AUG	4,059.7	2,270.2	950.1	3,516.9	2,947.9	651.8
	SEPT	3,949.5	1,897.0	722.6	3,928.7	3,275.9	455.6
	OCT	4,771.7	2,214.1	845.5	4,276.6	3,962.3	663.5
	NOV	4,066.0	2,044.9	907.9	3,559.4	2,703.1	656.3
	DEC	3,659.0	2,021.7	756.3	4,438.4	3,525.2	623.0
1981	JAN	4,320.8	2,467.5	608.8	4,092.7	3,993.3	647.0
	FEB	4,370.7	2,237.0	817.2	3,502.8	2,712.7	538.4
	MAR	4,808.0	2,267.1	1,136.8	4,441.8	3,328.0	602.7
	APR	4,899.3	2,401.4	809.6	5,060.7	4,344.4	586.6
	MAY	3,927.7	2,114.7	692.0	3,896.0	3,243.5	574.2
	JUNE	4,925.4	2,745.1	1,056.3	3,995.3	3,475.9	818.2
	JULY	3,964.7	2,016.5	866.7	4,095.9	3,975.9	644.8
	AUG	4,059.0	2,026.1	939.0	4,774.9	4,037.9	720.5
	SEPT	3,929.6	2,072.0	721.5	3,736.9	3,004.8	623.7

EXPORT-IMPORT TRADE BY SELECTED COMMODITY GROUPS—WESTERN REGION
MILLIONS OF DOLLARS
SEASONALLY ADJUSTED

	1				2				
	EXPORTS				IMPORTS				
	FOOD AND AGRICULTURE	CRUDE MATERIALS CHEMICALS	MACHINERY TRANSP EQUIP	OTHER	FOOD AND AGRICULTURE	CRUDE MATERIALS CHEMICALS	MACHINERY TRANSP EQUIP	OTHER	
1971	982.2	1,399.2	3,817.1	939.6	918.4	1,420.7	2,643.4	2,734.5	
1972	1,179.8	2,375.6	3,916.0	497.8	1,099.4	3,550.1	3,538.5	1,787.8	
1973	2,390.7	4,094.5	5,580.4	691.0	1,376.1	4,556.0	4,850.9	2,201.3	
1974	2,995.5	5,286.9	8,174.7	966.9	1,421.3	9,284.3	6,466.5	2,623.6	
1975	3,164.8	5,347.2	8,251.0	1,024.9	1,248.6	9,648.8	5,690.6	2,723.1	
1976	3,584.2	6,354.4	9,059.3	1,213.1	1,688.6	11,316.4	7,895.8	3,911.5	
1977	2,993.3	7,035.8	9,058.9	1,368.5	2,007.3	13,105.7	10,125.8	4,723.8	
1978	4,550.0	8,026.3	11,467.3	2,060.3	2,357.8	12,297.4	14,330.1	5,250.5	
1979	6,008.3	11,264.5	16,190.7	2,567.4	2,890.9	14,996.8	17,233.3	5,781.6	
1980	7,664.9	14,287.4	20,762.7	2,994.9	3,043.5	18,555.8	20,113.0	6,885.5	
1980	APR	569.5	1,206.6	1,739.8	260.9	227.5	1,764.7	1,580.1	491.6
	MAY	476.3	1,304.5	1,900.0	276.0	224.2	1,277.2	1,776.3	474.8
	JUNE	582.5	1,082.4	1,532.8	262.5	373.9	2,111.5	1,861.6	740.5
	JULY	605.2	1,109.4	1,619.9	260.9	209.7	1,394.9	1,694.9	659.9
	AUG	609.5	1,351.4	1,676.0	237.1	201.6	1,147.2	1,683.0	591.2
	SEPT	775.0	1,183.8	1,706.7	229.2	226.0	1,469.7	1,650.8	682.8
	OCT	792.3	1,066.7	1,928.8	300.7	269.8	1,465.0	1,516.9	556.3
	NOV	899.0	1,187.6	1,773.2	239.8	252.5	1,363.2	1,771.0	565.1
	DEC	814.6	1,208.8	2,055.3	231.8	294.8	1,680.0	1,877.2	631.1
1981	JAN	874.9	1,341.7	1,335.9	235.9	236.2	1,482.5	1,757.7	578.5
	FEB	764.8	1,307.1	1,825.2	245.5	217.4	1,244.2	1,456.7	464.9
	MAR	787.9	1,288.0	2,471.0	353.9	248.0	1,524.0	2,077.6	645.6
	APR	793.3	1,217.8	2,226.4	316.4	260.6	1,687.5	2,059.9	607.3
	MAY	593.8	1,270.5	1,898.6	280.6	255.1	1,281.0	1,760.0	508.4
	JUNE	717.7	1,082.3	1,976.1	315.2	362.4	1,917.8	2,106.0	770.2
	JULY	708.1	1,030.3	1,608.0	306.2	264.2	1,562.8	1,683.3	716.7
	AUG	587.0	1,149.8	1,818.5	267.7	278.7	1,499.6	2,128.4	755.9
	SEPT	721.1	1,145.9	1,719.0	265.2	214.7	1,378.4	1,618.8	695.5

RETAIL SALES
MILLIONS OF DOLLARS
SEASONALLY ADJUSTED

		1							--- CALIFORNIA ---	
		PACIFIC		DIVISION		2		NONDURABLE		
UNITED STATES		TOTAL	DURABLE GOODS STORES	FOOD GROUP	EATING & DRINKING PLACES	GAF, TOTAL	GASOLINE SERVICE STATIONS	TOTAL	GOODS STORES	
1971	406,234	56,511	17,841	12,483	5,196	14,378	4,163	43,156	29,677	
1972	449,069	62,290	20,263	13,524	5,715	16,039	3,996	46,979	31,997	
1973	509,538	68,956	22,206	15,009	6,345	17,981	4,366	51,318	35,082	
1974	540,988	73,693	21,892	17,048	7,035	19,352	5,048	55,006	38,976	
1975	588,146	82,748	24,413	19,029	8,693	21,366	5,954	61,701	43,776	
1976	657,375	92,144	29,408	21,139	9,704	23,902	6,299	69,129	48,064	
1977	725,220	102,789	34,924	22,573	10,800	26,719	6,715	77,472	51,798	
1978	804,684	117,301	40,843	25,345	11,685	31,509	7,355	86,987	56,900	
1979	894,343	134,866	47,291	29,457	13,535	35,064	9,385	100,865	65,306	
1980	956,655	144,803	46,046	32,882	15,325	37,619	11,968	108,113	74,067	
1980	MAY	75,975	11,720	3,502	2,754	1,286	3,117	963	8,757	6,142
	JUNE	77,843	11,404	3,661	2,532	1,238	3,000	954	8,489	5,821
	JULY	79,491	11,920	3,884	2,742	1,228	3,121	964	8,873	6,105
	AUG	79,829	12,092	3,741	2,857	1,250	3,192	989	9,035	6,249
	SEPT	80,620	12,192	3,832	2,780	1,256	3,159	1,018	9,127	6,234
	OCT	81,852	12,502	3,867	2,938	1,285	3,201	1,057	9,318	6,401
	NOV	82,764	12,457	3,864	2,855	1,329	3,195	1,087	9,283	6,415
	DEC	83,443	12,555	4,096	2,831	1,351	3,237	1,111	9,440	6,399
1981	JAN	85,463	12,678	3,884	2,941	1,440	3,203	1,090	9,554	6,674
	FEB	86,810	12,660	3,910	2,818	1,403	3,171	1,079	9,574	6,611
	MAR	87,608	12,489	3,923	2,767	1,419	3,109	1,094	9,430	6,485
	APR	85,855	13,151	4,117	2,919	1,455	3,317	1,152	9,849	6,795
	MAY	85,501	12,971	3,861	2,940	1,467	3,296	1,169	9,702	6,824
	JUNE	87,384	13,092	4,147	2,822	1,422	3,308	1,257	9,799	6,748
	JULY	87,350	13,632	4,369	3,104	1,478	3,396	1,254	10,192	7,061
	AUG	88,591	13,304	4,214	2,999	1,460	3,280	1,214	9,990	6,840
	SEPT	88,536	13,699	4,311	3,081	1,522	3,358	1,225	10,243	6,983
	OCT	87,470	NA	NA	NA	NA	NA	NA	NA	NA

CONSUMER PRICES
1967=100
NOT SEASONALLY ADJUSTED

	UNITED STATES	LOS ANGELES -LONG BEACH	SAN FRANCISCO -OAKLAND	HONOLULU	SEATTLE	SAN DIEGO	PORTLAND	ANCHORAGE
1971	121.3	118.5	120.1	118.9	116.4	119.8	116.1	112.9
1972	125.3	122.3	124.3	122.8	119.7	124.4	119.5	115.9
1973	133.1	129.2	131.5	128.3	127.5	132.5	127.3	120.8
1974	147.7	142.5	144.4	141.8	141.5	147.2	142.8	133.9
1975	161.2	157.6	159.1	154.4	155.8	160.8	156.5	152.3
1976	170.5	168.0	168.0	162.3	164.5	170.7	167.0	164.1
1977	181.5	179.6	180.8	171.0	177.6	182.0	180.2	175.0
1978	195.4	192.8	197.8	184.1	194.5	200.1	198.4	187.5
1979	217.4	195.9	215.9	205.6	214.9	231.5	224.0	207.2
1980	246.8	247.3	248.3	229.4	250.5	267.1	254.5	227.3
1980	MAY	244.9	249.1	NA	NA	249.6	269.7	226.5
	JUNF	247.6	250.1	248.0	227.5	NA	NA	NA
	JULY	247.8	249.7	NA	NA	255.1	269.9	228.4
	AUG	249.4	247.3	251.0	230.1	NA	NA	NA
	SEPT	251.7	249.6	NA	NA	259.1	271.8	230.9
	OCT	253.9	252.6	251.9	234.6	NA	NA	NA
	NOV	256.2	255.5	NA	NA	262.6	279.1	236.5
	DEC	258.4	258.7	254.9	236.1	NA	NA	NA
1981	JAN	260.5	259.4	NA	NA	264.9	287.7	240.1
	FEB	263.2	261.6	260.5	243.3	NA	NA	NA
	MAR	265.1	263.3	NA	NA	271.1	293.1	241.1
	APR	266.8	265.5	270.3	250.0	NA	NA	NA
	MAY	269.0	267.3	NA	NA	274.7	297.5	244.6
	JUNE	271.3	267.9	274.0	252.8	NA	NA	NA
	JULY	274.4	272.2	NA	NA	282.3	305.4	246.1
	AUG	276.5	274.8	287.9	256.6	NA	NA	NA
	SEPT	279.3	279.3	NA	NA	288.6	313.9	250.5
	OCT	279.9	281.3	297.0	259.3	NA	NA	NA

PAGE A - 2:

1/ PROPERTY INCOME EQUALS RENT, DIVIDENDS AND PERSONAL INTEREST INCOME.

SOURCE: U.S. DEPARTMENT OF COMMERCE.

PAGE A - 3:

1/ SEE PAGE 2, FOOTNOTE 1.

SOURCE: U.S. DEPARTMENT OF COMMERCE.

PAGE A - 4:

1/ SEE PAGE 2, FOOTNOTE 1.

SOURCE: U.S. DEPARTMENT OF COMMERCE.

PAGE A - 5:

1/ SEE PAGE 2, FOOTNOTE 1.

SOURCE: U.S. DEPARTMENT OF COMMERCE.

PAGE A - 6:

1/ SEE PAGE 2, FOOTNOTE 1.

SOURCE: U.S. DEPARTMENT OF COMMERCE.

PAGE A - 7:

1/ EXPORT SHIPMENTS ARE CREDITED STATISTICALLY TO THE CUSTOMS DISTRICT THROUGH WHICH THE SHIPMENT CLEARS WHEN IT LEAVES THE UNITED STATES. EXPORTS BY VESSEL OR AIR ARE CREDITED TO THE CUSTOMS DISTRICT IN WHICH THE MERCHANDISE IS LOADED ON THE VESSEL OR AIRCRAFT WHICH TAKES THE MERCHANDISE OUT OF THE COUNTRY. THEREFORE, THE CUSTOMS DISTRICT SHOWN IS NOT NECESSARILY THE DISTRICT IN WHICH THE MERCHANDISE WAS GROWN, MANUFACTURED OR OTHERWISE ORIGINATED.

2/ MERCHANDISE IMPORTS ARE CREDITED TO THE CUSTOMS DISTRICT IN WHICH THEY CLEAR THROUGH CUSTOMS FOR ENTRY INTO CONSUMPTION CHANNELS OR ENTER INTO CUSTOMS WAREHOUSE. THIS MAY NOT BE THE DISTRICT AT WHICH THE MERCHANDISE ARRIVED IN THE UNITED STATES NOR THE FINAL POINT OF DESTINATION OF THE MERCHANDISE IN THE UNITED STATES. THE DATA FOR INDIVIDUAL CUSTOMS REGIONS AND DISTRICTS EXCLUDES IMPORTS OF VESSELS MOVING UNDER THEIR OWN POWER OR AFLCAT AND ESTIMATES PER SHIPMENTS VALUED UNDER \$251.

SOURCE: U.S. DEPARTMENT OF COMMERCE, FT990, SEASONALLY ADJUSTED BY THE FEDERAL RESERVE BANK OF SAN FRANCISCO.

PAGE A - 8:

1/ SEE PAGE 7 FOOTNOTE 1.

2/ SEE PAGE 7 FOOTNOTE 2.

SOURCE: SEE PAGE 7 SOURCE.

PAGE A - 9:

1/ PACIFIC DIVISION INCLUDES ALASKA, CALIFORNIA, HAWAII, OREGON, AND WASHINGTON.

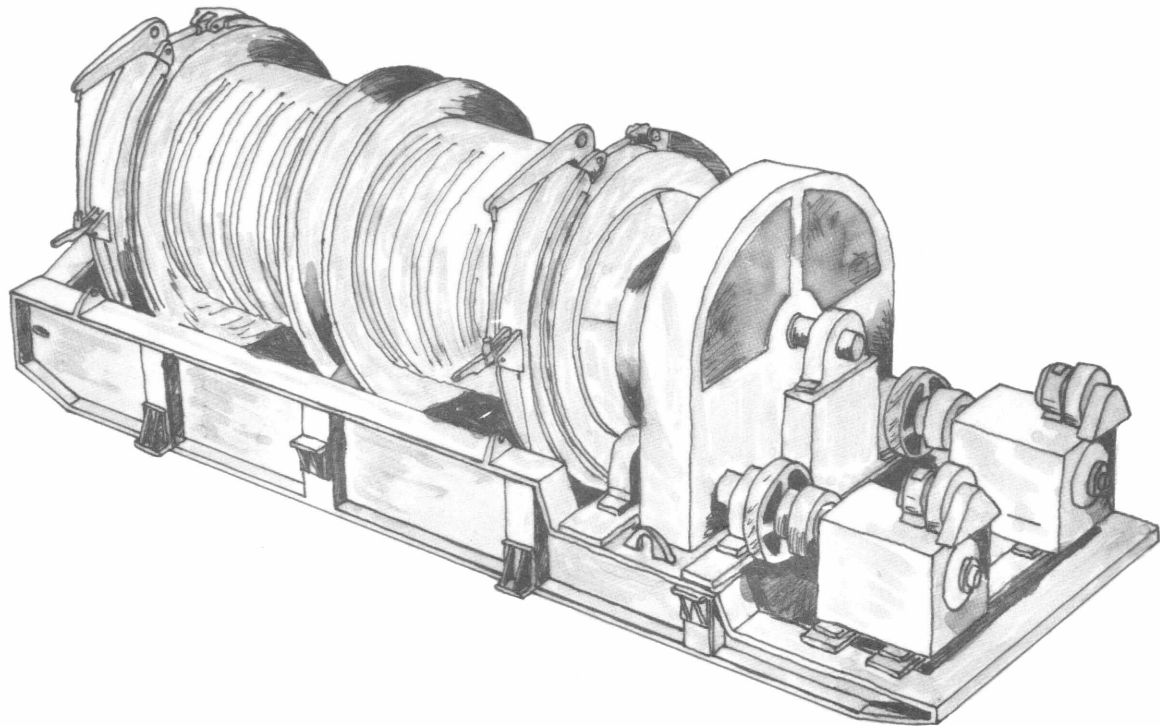
2/ GAF INCLUDES STORES IN GENERAL MERCHANDISE (INCLUDING ALL NONSTORES), APPAREL, AND FURNITURE AND APPLIANCE GROUPS; THESE STORES SPECIALIZE IN DEPARTMENT-STORE TYPES OF MERCHANDISE.

SOURCE: U.S. DEPARTMENT OF COMMERCE, BUREAU OF THE CENSUS, SEASONALLY ADJUSTED BY THE FEDERAL RESERVE BANK OF SAN FRANCISCO.

PAGE A -10:

SOURCE: U.S. BUREAU OF LABOR STATISTICS

EMPLOYMENT AND EARNINGS



1
 TOTAL CIVILIAN EMPLOYMENT
 THOUSANDS OF PERSONS
 SEASONALLY ADJUSTED

	UNITED STATES	TWELFTH DISTRICT	ALASKA	ARIZONA	CALIF	HAWAII	IDAHO	NEVADA	OREGON	UTAH	WASH	
1971	79,104	NA	104	664	7,621	313	NA	212	835	395	1,253	
1972	81,681	NA	110	732	7,935	324	NA	224	894	418	1,288	
1973	84,396	NA	116	804	8,202	338	NA	244	939	440	1,354	
1974	85,945	13,209	134	833	8,525	345	317	255	939	457	1,403	
1975	84,769	13,139	144	813	8,460	351	324	260	929	466	1,391	
1976	87,485	13,703	153	842	8,820	357	346	278	966	487	1,454	
1977	90,545	14,465	158	897	9,307	374	367	300	1,047	504	1,511	
1978	94,371	15,358	161	938	9,890	369	384	322	1,124	523	1,647	
1979	96,947	16,018	164	999	10,286	374	398	340	1,134	559	1,764	
1980	97,274	16,292	169	1,051	10,448	380	390	353	1,166	570	1,765	
1980	JUNE	96,780	16,102	167	1,020	10,316	379	385	348	1,170	566	1,751
	JULY	96,999	16,278	169	1,024	10,481	379	387	346	1,161	571	1,760
	AUG	97,003	16,327	170	1,021	10,548	377	385	346	1,152	572	1,757
	SEPT	97,180	16,231	169	1,029	10,442	378	386	347	1,154	567	1,758
	OCT	97,206	16,203	170	1,031	10,441	381	386	349	1,154	568	1,723
	NOV	97,339	16,323	172	1,034	10,516	383	383	354	1,151	564	1,766
	DEC	97,282	16,368	173	1,060	10,520	383	387	357	1,151	562	1,774
1981	JAN	97,696	16,435	175	1,054	10,499	386	418	361	1,181	565	1,798
	FEB	97,927	16,433	174	1,051	10,518	383	419	369	1,166	566	1,787
	MAR	98,412	16,424	174	1,052	10,514	381	411	364	1,179	568	1,781
	APR	98,976	16,529	173	1,054	10,623	384	400	369	1,195	571	1,760
	MAY	99,235	16,522	172	1,061	10,642	383	398	369	1,199	564	1,735
	JUNE	98,392	16,371	175	1,070	10,517	383	391	368	1,193	566	1,709
	JULY	98,962	16,430	178	1,071	10,556	384	392	360	1,199	570	1,721
	AUG	98,944	16,506	174	1,076	10,648	382	391	366	1,184	568	1,716
	SEPT	98,270	16,383	175	1,087	10,503	388	388	370	1,183	571	1,719
	OCT	98,217	16,439	178	1,083	10,540	392	388	373	1,180	574	1,731
	NOV	98,025	NA	NA	NA	10,556	NA	NA	NA	NA	NA	NA

1
UNEMPLOYMENT RATES
PERCENT
SEASONALLY ADJUSTED

	UNITED STATES	ALASKA	ARIZONA	CALIF	HAWAII	IDAHO	NEVADA	OREGON	UTAH	WASH	
1971	6.0	10.6	5.9	8.8	6.9	NA	7.0	7.6	5.0	10.1	
1972	5.6	10.6	5.2	7.6	7.7	NA	7.0	6.9	4.6	9.6	
1973	4.9	10.8	5.0	7.0	7.2	NA	6.2	6.2	4.4	7.9	
1974	5.6	10.2	6.8	7.3	7.9	5.2	7.8	7.5	4.8	7.2	
1975	8.5	7.0	12.1	9.9	8.3	6.2	9.7	10.6	6.5	9.6	
1976	7.7	8.5	9.9	9.1	9.8	5.8	8.9	9.6	5.6	8.6	
1977	7.0	9.2	8.2	8.2	7.4	5.9	7.1	7.4	5.3	8.8	
1978	6.0	11.1	6.1	7.1	7.7	5.7	4.5	6.0	3.9	6.9	
1979	5.8	9.4	5.0	6.2	6.3	5.7	5.0	6.8	4.3	6.8	
1980	7.1	9.7	6.7	6.8	5.0	7.8	6.1	8.3	6.2	7.5	
1980	JUNE	7.5	10.3	7.1	7.2	4.9	8.7	6.5	8.9	6.6	7.7
	JULY	7.6	10.1	7.0	6.7	4.9	8.9	6.8	9.1	6.9	7.7
	AUG	7.6	9.9	7.2	7.1	5.0	8.5	6.6	8.9	6.8	7.6
	SEPT	7.4	9.7	7.1	6.9	5.2	8.1	6.5	8.8	7.0	7.7
	OCT	7.6	9.6	6.9	7.2	4.9	8.3	6.4	8.9	6.8	8.0
	NOV	7.5	9.1	6.6	7.2	4.8	7.8	6.3	8.4	6.5	7.9
	DEC	7.4	9.2	6.8	6.6	5.0	7.6	6.7	8.6	6.3	7.9
1981	JAN	7.4	9.3	6.5	7.5	5.2	6.4	6.8	8.3	6.8	7.8
	FEB	7.3	9.2	6.7	7.6	5.4	6.8	6.8	9.2	6.7	8.1
	MAR	7.3	9.1	6.8	7.2	5.5	6.9	6.9	9.1	6.8	8.3
	APR	7.3	8.4	6.6	7.1	5.5	6.8	6.7	9.1	6.4	8.6
	MAY	7.6	8.5	6.5	6.5	5.6	6.8	6.5	9.2	6.2	8.9
	JUNE	7.3	8.9	6.1	6.7	5.8	7.6	6.5	9.5	6.0	9.1
	JULY	7.0	9.4	6.1	7.2	5.3	7.2	6.8	9.2	6.0	9.1
	AUG	7.2	9.7	6.2	6.7	5.2	7.0	6.6	10.1	6.3	9.5
	SEPT	7.5	9.9	6.3	7.2	5.2	8.1	7.0	10.5	6.6	9.8
	OCT	8.0	10.0	6.6	8.1	5.3	9.3	7.2	11.1	7.1	10.1
	NOV	8.4	NA	NA	8.2	NA	NA	NA	NA	NA	NA

1
 TWELFTH DISTRICT NONFARM PAYROLL EMPLOYMENT
 THOUSANDS OF PERSONS
 SEASONALLY ADJUSTED

		TOTAL	AEROSPACE MFG	OTHER MFG	CONSTRUCTION	TRANSPORT ETC	TRADE	SERVICES	GOVERNMENT	OTHER
1971		10,492	513	1,575	504	689	2,355	1,922	2,290	644
1972		11,001	530	1,660	549	696	2,470	2,040	2,368	688
1973		11,689	580	1,782	599	722	2,627	2,198	2,449	731
1974		12,036	602	1,819	585	735	2,717	2,300	2,518	759
1975		12,116	564	1,710	547	723	2,781	2,381	2,646	765
1976		12,623	515	1,852	574	736	2,934	2,519	2,695	798
1977		13,332	533	1,953	648	761	3,110	2,701	2,771	856
1978		14,338	599	2,099	744	810	3,356	2,963	2,827	939
1979		15,017	697	2,181	814	852	3,466	3,167	2,832	1,008
1980		15,888	758	2,680	735	872	3,585	3,314	2,899	1,045
1980	MAY	15,340	754	2,108	742	876	3,590	3,319	2,909	1,041
	JUNE	15,247	756	2,080	716	867	3,557	3,323	2,906	1,042
	JULY	15,227	758	2,107	675	871	3,569	3,326	2,892	1,030
	AUG	15,181	760	2,063	683	870	3,572	3,294	2,906	1,031
	SEPT	15,191	764	2,062	699	869	3,570	3,292	2,896	1,038
	OCT	15,229	767	2,090	692	871	3,563	3,307	2,893	1,046
	NOV	15,422	768	2,111	717	867	3,566	3,362	2,963	1,068
	DEC	15,402	769	2,109	726	869	3,580	3,377	2,905	1,067
1981	JAN	15,459	766	2,112	745	874	3,608	3,383	2,903	1,067
	FEB	15,460	763	2,101	721	873	3,641	3,393	2,899	1,069
	MAR	15,441	759	2,095	706	874	3,642	3,403	2,889	1,071
	APR	15,422	762	2,099	705	875	3,618	3,410	2,884	1,070
	MAY	15,412	761	2,098	702	875	3,609	3,412	2,880	1,075
	JUNE	15,397	762	2,086	693	874	3,602	3,419	2,882	1,080
	JULY	15,401	763	2,081	688	875	3,611	3,435	2,868	1,080
	AUG	15,417	764	2,071	682	876	3,618	3,455	2,869	1,082
	SEPT	15,447	765	2,061	673	877	3,627	3,475	2,885	1,084
	OCT	15,438	764	2,049	662	875	3,632	3,487	2,883	1,085

AVERAGE HOURLY EARNINGS AND WAGE RATE DOLLARS
DOLLARS
NOT SEASONALLY ADJUSTED

	MANUFACTURING PRODUCTION WORKERS										FARM WAGE RATE		
	U S	ALASKA	ARIZONA	CALIF	HAWAII	IDAHO	NEVADA	OREGON	UTAH	WASH	U S	PCS	
1971	3.57	5.42	3.62	4.02	3.39	3.53	4.21	4.09	3.41	4.25	1.73	1.96	
1972	3.81	5.96	3.85	4.24	3.65	3.73	4.39	4.30	3.59	4.52	1.83	2.04	
1973	4.08	5.98	4.03	4.45	3.95	4.05	4.58	4.60	3.77	4.82	1.98	2.18	
1974	4.41	7.6	4.4	4.73	4.25	4.39	4.89	5.02	3.92	5.22	2.32	2.49	
1975	4.81	8.05	4.85	5.23	4.64	4.75	5.26	5.53	4.05	5.79	2.45	2.71	
1976	5.19	7.82	5.19	5.60	5.09	5.27	5.67	6.08	4.89	6.33	2.65	2.93	
1977	5.64	9.2	5.55	5.99	5.54	5.80	6.10	6.61	5.18	6.83	2.90	3.18	
1978	6.17	8.86	6.03	6.42	5.92	6.51	6.54	7.22	5.68	7.56	3.10	3.39	
1979	6.69	9.48	6.62	7.02	6.39	6.91	6.95	7.91	6.28	8.38	3.41	3.63	
1980	7.27	10.40	7.29	7.70	6.84	7.52	7.72	8.65	7.02	9.41	3.67	4.06	
1980	MAY	7.13	11.14	7.18	7.60	6.82	7.19	7.57	8.51	7.01	9.19	NA	NA
	JUNE	7.20	10.47	7.30	7.67	6.73	7.65	7.65	8.60	7.02	9.31	NA	NA
	JULY	7.29	9.58	7.29	7.77	6.46	7.95	7.96	8.78	7.05	9.52	3.62	3.99
	AUG	7.30	9.09	7.32	7.85	6.67	7.81	8.18	8.77	6.97	9.56	NA	NA
	SEPT	7.42	10.86	7.36	7.92	6.98	8.10	8.04	8.93	7.20	9.63	NA	NA
	OCT	7.49	10.38	7.31	7.91	7.04	7.76	7.63	8.99	7.29	9.76	3.83	4.28
	NOV	7.60	11.06	7.60	8.00	7.13	7.68	8.00	9.00	7.33	9.91	NA	NA
	DEC	7.70	11.60	7.83	8.09	7.07	7.81	8.12	9.10	7.36	10.01	NA	NA
1981	JAN	7.73	12.13	7.84	8.14	7.30	8.04	7.74	9.12	7.35	10.02	4.09	4.40
	FEB	7.75	11.99	7.93	8.17	7.60	7.87	7.96	9.15	7.48	10.16	NA	NA
	MAR	7.8	11.15	7.77	8.26	7.56	7.89	8.20	9.24	7.37	10.36	NA	NA
	APR	7.88	11.41	7.85	8.34	7.50	7.99	8.34	9.30	7.67	10.29	3.91	4.16
	MAY	7.92	11.49	7.89	8.40	7.42	8.14	8.18	9.41	7.55	10.29	NA	NA
	JUNE	7.97	11.70	7.96	8.48	7.03	8.26	8.22	9.47	7.59	10.51	NA	NA
	JULY	8.02	10.42	8.09	8.64	7.20	8.58	8.34	9.56	7.82	10.56	NA	NA
	AUG	8.02	10.22	8.17	8.71	7.57	8.49	8.40	9.49	7.86	10.56	NA	NA
	SEPT	8.15	12.08	8.27	8.86	7.89	8.40	9.04	9.73	8.03	10.80	NA	NA
	OCT	8.14	12.65	8.1	8.83	7.80	8.02	9.05	9.62	8.02	10.83	NA	NA

EMPLOYMENT

PAGE B - 2:

1/ INCLUDES NUMBER OF PERSONS INVOLVED IN LABOR DISPUTES. ALL RAW DATA ARE COLLECTED ACCORDING TO THE BUREAU OF LABOR STATISTICS METHODOLOGY. HISTORICAL DATA FOR MOST TWELFTH DISTRICT STATES ARE REVISED EACH JANUARY. DATA ARE SEASONALLY ADJUSTED BY THE FEDERAL RESERVE BANK OF SAN FRANCISCO.

SOURCE: U.S. DEPARTMENT OF LABOR, BUREAU OF LABOR STATISTICS; ALASKA DEPARTMENT OF LABOR; ARIZONA DEPARTMENT OF ECONOMIC SECURITY; STATE OF CALIFORNIA, EMPLOYMENT DEVELOPMENT DEPARTMENT; HAWAII DEPARTMENT OF LABOR AND INDUSTRIAL RELATIONS; IDAHO DEPARTMENT OF EMPLOYMENT; NEVADA EMPLOYMENT SECURITY DEPARTMENT; STATE OF OREGON UNEMPLOYMENT DIVISION; UTAH, DEPARTMENT OF EMPLOYMENT SECURITY; WASHINGTON EMPLOYMENT SECURITY DEPARTMENT.

PAGE B - 3:

1/ WITH THE EXCEPTION OF CALIFORNIA, ALL RATES ARE CALCULATED BY THE FEDERAL RESERVE BANK OF SAN FRANCISCO ON THE BASIS OF ITS SEASONALLY ADJUSTED DATA FOR UNEMPLOYMENT AND THE CIVILIAN LABOR FORCE. THE RATES REFLECT THE LATEST REVISIONS OF THE HISTORICAL RAW DATA MADE IN JANUARY OF EACH YEAR.

SOURCE: SEE PAGE 2 SOURCE.

PAGE B - 4:

1/ DATA ARE SEASONALLY ADJUSTED BY THE FEDERAL RESERVE BANK OF SAN FRANCISCO.

2/ INCLUDES TRANSPORTATION, COMMUNICATION AND UTILITIES.

3/ INCLUDES FINANCE, INSURANCE & REAL ESTATE AND MINING.

SOURCE: SEE PAGE 2 SOURCE.

PAGE B - 5:

1/ PACIFIC COAST STATES, I.E. CALIFORNIA, OREGON AND WASHINGTON.

SOURCE: SEE PAGE 2 SOURCE. ALSO, U.S. DEPARTMENT OF AGRICULTURE, CROP REPORTING BOARD. DATA ARE NOT SEASONALLY ADJUSTED.

PRODUCTION



DISTRICT PRODUCTION SELECTED INDUSTRIES
1967=100
SEASONALLY ADJUSTED

		¹		²	²	²			
		LUMBER	STEEL	COPPER	LEAD	ZINC	NATURAL GAS	CRUDE OIL	REFINED PRODUCTS
	1971	107.5	90.6	165.4	89.7	63.9	105.4	111.9	121.4
	1972	114.6	94.3	175.5	69.6	59.7	95.4	107.2	130.0
	1973	116.7	110.5	179.6	60.5	59.1	87.2	104.4	137.2
	1974	103.6	107.4	163.1	51.5	52.3	78.5	100.5	128.8
	1975	94.8	89.1	147.7	53.9	63.9	66.0	100.1	132.3
	1976	108.1	92.0	175.6	57.6	67.6	69.9	99.2	142.0
	1977	110.7	90.9	166.9	47.4	47.7	73.9	132.0	157.8
	1978	107.6	97.4	168.7	42.2	34.4	69.9	203.4	156.5
	1979	105.4	100.1	175.1	37.7	25.3	75.5	220.5	163.8
	1980	81.8	81.0	142.7	35.7	23.7	66.6	241.6	159.0
1980	MAY	69.1	76.4	190.1	34.1	20.1	65.0	244.3	157.3
	JUNE	78.7	69.3	173.6	35.4	23.9	63.3	247.4	157.1
	JULY	80.4	67.3	60.9	37.0	23.7	61.9	240.5	158.5
	AUG	79.0	70.1	43.1	34.5	21.6	66.1	238.3	162.3
	SEPT	87.6	76.3	64.5	34.7	22.6	69.5	239.8	155.7
	OCT	87.2	80.2	114.8	35.6	25.0	67.3	236.4	153.7
	NOV	79.2	83.3	156.3	30.8	20.6	71.3	231.9	160.6
	DEC	82.6	85.2	172.6	34.8	23.6	74.2	243.3	156.3
1981	JAN	90.1	85.9	179.1	32.2	22.5	73.2	243.5	154.1
	FEB	85.4	83.9	170.8	38.4	24.4	74.0	249.8	149.5
	MAR	84.1	85.5	179.7	30.3	25.4	73.2	246.2	152.9
	APR	86.9	86.3	184.6	26.6	25.8	81.3	247.8	143.2
	MAY	82.4	87.1	191.0	22.0	25.3	83.3	248.1	146.9
	JUNE	87.1	88.1	187.7	36.9	30.0	89.3	NA	NA
	JULY	82.8	86.5	190.8	38.6	27.9	88.7	NA	NA
	AUG	85.4	84.1	203.1	34.3	25.2	97.5	NA	NA
	SEPT	67.3	90.2	200.3	39.7	30.0	NA	NA	NA
	OCT	71.5	79.2	NA	NA	NA	NA	NA	NA

PRODUCTION

PRIME CONTRACT AWARDS DEPARTMENT OF DEFENSE
 MILLIONS OF DOLLARS
 NOT SEASONALLY ADJUSTED

		1										
		UNITED STATES	TWELFTH DISTRICT	ALASKA	ARIZONA	CALIF	HAWAII	IDAHO	NEVADA	OREGON	UTAH	WASH
1971		29,158.8	7,244.6	81.3	443.8	5,631.0	114.0	6.5	16.3	44.4	136.8	770.5
1972		31,497.5	8,044.3	122.1	388.9	6,023.3	137.0	8.9	17.6	41.3	185.4	1,119.8
1973		30,410.2	8,331.1	120.1	413.3	6,404.4	137.2	8.3	17.2	52.2	156.0	1,022.4
1974		35,804.0	10,215.1	128.0	603.2	7,763.0	264.2	7.7	25.6	57.9	152.2	1,213.2
1975		37,347.0	10,696.7	141.9	729.1	7,742.3	405.6	10.0	34.5	59.8	152.0	1,421.5
1976		44,089.6	12,549.9	163.9	544.1	9,871.4	290.3	23.4	26.0	57.2	153.9	1,419.7
1977		47,336.6	13,126.1	164.5	483.2	10,129.6	245.6	18.6	39.9	78.3	252.1	1,784.3
1978		53,922.5	13,771.8	214.3	599.6	10,602.6	291.2	19.5	41.5	92.4	195.1	1,675.6
1979		56,661.7	15,501.1	209.0	675.9	12,310.2	336.2	15.8	64.3	151.9	220.6	1,513.1
1980		72,417.8	18,422.2	360.2	859.8	13,866.1	339.5	30.6	50.0	139.1	334.4	2,512.6
1970	II	10,854.8	2,974.5	26.4	320.9	2,080.4	31.7	5.8	11.2	33.4	35.9	419.8
	III	15,851.9	4,259.2	36.5	85.2	3,470.0	87.0	4.8	19.9	84.6	78.5	392.7
	IV	16,252.6	4,867.7	99.0	130.8	3,985.0	162.8	5.6	13.4	19.7	52.4	395.0
1981	I	14,221.7	4,118.2	24.9	211.0	3,262.9	39.6	4.5	13.2	26.8	52.9	482.4
	II	15,936.9	3,896.5	59.3	174.9	2,872.4	47.5	1.9	6.1	56.1	80.6	597.7
	III	19,883.3	4,828.9	67.7	210.5	3,732.3	65.2	7.4	17.6	28.3	65.1	634.7
	IV	22,376.6	5,648.6	208.3	263.4	3,998.5	187.1	16.8	13.1	27.9	135.8	797.8
1981	I	20,456.9	5,223.6	41.9	217.4	4,045.3	134.8	8.4	26.8	49.6	130.2	569.2

PRODUCTION

1
 PROCUREMENT AWARDS: NATIONAL AERONAUTICS & SPACE ADMINISTRATION
 MILLIONS OF DOLLARS
 NOT SEASONALLY ADJUSTED

	UNITED STATES	TWELFTH DISTRICT	ALASKA ²	ARIZONA	CALIF	HAWAII	IDAHO ²	NEVADA ²	OREGON ²	UTAH	WASH
1971	2,194.6	544.0	1.4	6.2	520.5	2.9	0.0	0.2	0.8	1.7	10.3
1972	2,115.6	723.1	1.7	6.9	696.0	2.1	0.0	0.6	1.1	1.3	13.4
1973	2,166.0	889.3	0.8	5.9	849.3	3.1	0.0	0.7	1.1	9.3	19.1
1974	2,299.2	1,126.0	1.4	10.3	1,081.9	2.3	0.0	0.6	1.5	18.5	9.5
1975	2,587.9	1,425.5	0.6	15.4	1,334.7	7.9	0.0	0.7	1.5	36.1	28.8
1976	2,270.4	1,211.4	0.6	8.2	1,142.6	1.5	0.0	1.3	1.2	44.0	12.0
1977	2,910.3	1,476.5	0.8	14.8	1,363.3	3.0	0.0	1.0	1.7	57.1	34.8
1978	3,242.0	1,399.0	0.9	12.4	1,270.7	1.0	0.4	1.4	2.3	70.8	39.1
1979	3,732.6	1,782.3	1.5	25.9	1,636.6	3.4	0.0	1.1	2.4	74.5	36.9
1980	4,207.9	1,962.7	1.5	33.0	1,818.1	3.3	0.1	0.6	3.3	72.6	30.2
1977 APR-SEPT	1,281.8	649.1	0.5	6.4	604.3	1.9	0.0	0.6	1.1	20.3	14.0
1978 OCT-MARCH APR-SEPT	1,628.5 1,388.8	827.4 568.8	0.3 0.4	8.4 5.1	759.0 521.3	1.1 1.0	0.0 0.0	0.4 1.0	0.6 1.1	36.8 24.5	20.8 14.4
1979 OCT-MARCH APR-SEPT	1,853.2 1,632.7	830.2 745.9	0.5 0.3	7.3 11.5	749.4 689.6	0.0 1.1	0.4 0.0	0.4 0.5	1.2 1.4	46.3 24.9	24.7 16.6
1980 OCT-MARCH APR-SEPT	2,099.9 1,858.3	1,036.4 835.3	1.2 0.3	14.4 17.8	947.0 774.3	2.3 1.9	0.0 0.0	0.6 0.1	1.0 1.7	49.6 22.3	20.3 16.9
1981 OCT-MARCH APR-SEPT	2,349.6 2,036.6	1,127.4 907.2	1.2 0.9	15.2 12.7	1,043.8 831.6	1.4 2.0	0.1 0.2	0.5 0.6	1.6 2.6	50.3 35.1	13.3 21.5

PRODUCTION

RECEIPTS FROM FARM MARKETINGS
SEASONALLY ADJUSTED
MILLIONS OF DOLLARS

	UNITED STATES	TWELFTH DISTRICT	ALASKA	ARIZONA	CALIF	HAWAII	IDAHO	NEVADA	OREGON	UTAH	WASH	
1971	52,860	8,392.8	4.5	729.4	5,027.4	220.6	698.9	90.5	573.2	230.1	818.2	
1972	61,190	9,510.0	5.0	835.8	5,514.0	232.5	832.6	109.8	659.1	250.8	1,070.4	
1973	87,068	12,842.5	5.5	1,129.7	7,228.6	268.5	1,177.4	145.4	942.9	344.1	1,600.4	
1974	92,648	15,271.9	6.3	1,210.3	8,616.0	631.3	1,462.6	136.9	1,112.0	320.2	1,776.3	
1975	89,563	14,616.0	7.8	1,052.5	8,485.0	372.2	1,314.9	131.6	1,031.3	328.9	1,891.8	
1976	93,490	15,352.9	7.2	1,203.8	9,142.9	298.8	1,313.5	148.9	991.9	340.9	1,905.0	
1977	96,289	15,466.2	11.7	1,137.0	9,463.8	328.2	1,196.8	152.5	1,055.0	357.5	1,763.8	
1978	112,924	18,027.6	11.5	1,530.6	10,596.1	380.9	1,506.3	178.9	1,211.1	452.8	2,159.5	
1979	131,916	21,354.4	12.3	1,742.0	12,870.2	422.5	1,851.6	220.0	1,563.7	500.0	2,172.0	
1980	136,431	22,791.7	11.5	1,720.2	13,539.0	439.3	2,007.4	233.1	1,611.8	524.0	2,705.4	
1979	IV	33,708	5,618.8	3.1	432.0	3,398.5	110.5	507.2	58.4	402.6	124.8	581.7
1980	I	32,853	5,327.4	2.8	415.6	3,097.7	106.6	474.6	57.3	391.3	127.6	653.9
	II	33,111	5,431.2	2.8	418.1	3,234.2	108.9	453.0	52.7	389.3	126.0	643.2
	III	35,392	5,620.0	2.9	410.1	3,355.2	111.0	516.4	64.6	386.0	134.1	639.7
	IV	34,859	6,139.5	2.9	460.5	3,632.5	112.8	542.8	58.1	441.0	132.8	756.1
1981	I	35,809	5,822.2	3.1	450.3	3,185.2	107.5	627.5	65.5	478.5	133.7	770.9
	II	35,769	5,679.3	2.8	402.4	3,248.0	109.2	595.0	87.6	424.9	132.0	677.6
	III	38,562	6,161.2	3.1	416.7	3,467.3	109.5	617.9	122.8	490.6	133.1	800.2

PRODUCTION

1
FARM PRICES
NOT SEASONALLY ADJUSTED
DOLLARS PER UNIT

UNITED STATES		CALIFORNIA				IDAHO		WASHINGTON		
ALL PRODUCTS 1967=100		ORANGES BOX	COTTON LB	BEEF CATTLE CWT	TURKEY LB	EGGS DOZ	PCTATCES CWT	WHEAT BU	APPLES LB	
1971	113	6.47	0.26	30.42	0.21	0.25	1.81	1.48	0.070	
1972	125	6.08	0.32	33.55	0.22	0.29	1.75	1.75	0.080	
1973	179	7.17	0.37	42.80	0.35	0.52	2.73	3.56	0.100	
1974	192	7.78	0.57	39.60	0.28	0.48	5.11	4.65	0.093	
1975	185	7.40	0.46	36.14	0.33	0.50	3.31	3.76	0.120	
1976	186	7.16	0.64	35.41	0.30	0.54	3.37	3.27	0.084	
1977	183	8.92	0.62	36.00	0.34	0.49	2.92	2.62	0.111	
1978	209	11.75	0.60	48.87	0.42	0.47	2.96	3.29	0.174	
1979	241	13.40	0.66	65.27	0.42	0.51	2.48	3.76	0.144	
1980	245	10.35	0.82	63.60	0.34	0.50	3.52	3.89	0.165	
1980	JUNE	232	9.39	0.73	61.60	0.34	0.44	3.10	3.67	0.206
	JULY	247	9.52	0.78	64.70	0.39	0.42	4.20	3.78	0.242
	AUG	257	9.52	0.89	66.30	0.43	0.50	4.25	3.77	0.281
	SEPT	260	9.50	0.93	65.20	0.46	0.54	3.90	3.85	0.221
	OCT	260	9.54	0.76	64.70	0.51	0.54	3.60	4.11	0.121
	NOV	264	13.40	0.80	63.00	0.52	0.55	4.30	4.24	0.085
	DEC	264	11.60	0.85	61.80	0.50	0.66	5.50	4.19	0.085
1981	JAN	264	10.90	0.84	61.60	0.43	0.56	6.35	4.20	0.081
	FEB	263	10.80	0.83	60.20	0.40	0.60	6.95	4.23	0.113
	MAR	262	9.99	0.79	59.40	0.38	0.56	6.85	4.19	0.101
	APR	261	9.35	0.76	60.00	0.41	0.59	7.25	4.05	0.091
	MAY	260	9.76	0.75	59.50	0.40	0.50	7.10	4.25	0.083
	JUNE	260	10.50	0.74	57.60	0.45	0.50	7.20	4.09	0.092
	JULY	258	12.20	0.72	56.80	0.45	0.47	8.10	3.97	0.100
	AUG	251	12.80	0.67	55.80	0.40	0.50	5.00	3.92	0.160
	SEPT	244	12.30	0.66	59.30	0.39	0.59	4.65	3.89	0.177
	OCT	237	12.00	0.70	56.00	0.39	0.59	4.30	4.02	0.170
	NOV	236	13.60	0.68	56.20	0.37	0.65	4.25	4.00	0.180

PRODUCTION

PAGE C - 2:

- 1/ SUM OF COASTAL, INLAND, & CALIFORNIA REDWOOD REGIONS. INLAND REGION ADJUSTED FOR PRODUCTION OUTSIDE THE DISTRICT.
- 2/ MINE PRODUCTION.

SOURCE: NATIONAL FOREST PRODUCTS ASSOCIATION, AMERICAN IRON & STEEL INSTITUTE, U.S. DEPARTMENT OF INTERIOR, BUREAU OF MINES, SEASONALLY ADJUSTED BY THE FEDERAL RESERVE BANK OF SAN FRANCISCO.

PAGE C - 3:

- 1/ NET VALUE OF CONTRACTS OF \$10,000 OR MORE FOR WORK IN EACH STATE AND THE DISTRICT OF COLUMBIA.

SOURCE: DEPARTMENT OF DEFENSE.

PAGE C - 4:

- 1/ \$10,000 AND OVER.
- 2/ 0.0 INDICATES LESS THAN \$100,000.

SOURCE: ANNUAL AND SEMI-ANNUAL PROCUREMENT REPORT, NASA.

PAGE C - 5:

SOURCE: U.S. DEPARTMENT OF AGRICULTURE.

PAGE C - 6:

- 1/ ALL MONTHLY PRICES ARE AVERAGES FOR THE PERIOD FROM THE 15TH DAY OF THE PREVIOUSMONTH TO THE 15TH DAY OF THE MONTH INDICATED.
 - 2/ BEGINNING WITH THE JULY/AUGUST 1976 ISSUE, THE PRICE INDEXES ARE CONSTRUCTED WITH A NEW SET OF BASE WEIGHTS DERIVED FROM AVERAGE SALES OVER THE 1971-73 PERIOD. THIS IS THE FIRST ADJUSTMENT OF THESE WEIGHTS BY THE U.S.D.A. SINCE THE LATE 1950'S.
- SOURCE: U.S. DEPARTMENT OF AGRICULTURE, CRCP REPORTING BOARD.

CONSTRUCTION



CONSTRUCTION CONTRACTS
MILLIONS OF DOLLARS
SEASONALLY ADJUSTED ANNUAL RATE

		1 TWELFTH DISTRICT				UNITED STATES			
		2 NON RESIDENTIAL		3 NON BUILDING		2 NON RESIDENTIAL		3 NON BUILDING	
		RESIDENTIAL	RESIDENTIAL	BUILDING	TOTAL	RESIDENTIAL	RESIDENTIAL	BUILDING	TOTAL
1971		6,500	3,578	2,612	12,690	34,754	25,574	19,283	79,611
1972		7,789	4,101	2,752	14,642	45,269	27,143	18,986	91,398
1973		7,446	4,967	3,045	15,458	46,436	32,167	22,556	101,159
1974		5,774	5,251	3,782	14,807	34,632	34,312	25,879	94,823
1975		6,420	5,012	3,443	14,875	31,348	30,288	28,313	89,949
1976		10,273	4,900	3,824	18,997	43,377	30,656	28,443	102,476
1977		14,325	6,363	5,153	25,841	60,625	36,074	41,540	138,239
1978		15,784	7,943	4,263	27,990	74,895	45,112	39,859	159,866
1979		17,736	10,115	4,309	32,160	74,765	50,405	42,424	167,598
1980		14,262	10,812	5,352	30,426	63,253	53,611	31,910	148,775
1980	MAY	9,277	10,183	3,724	23,184	44,571	47,207	21,713	113,490
	JUN	11,928	9,556	3,147	24,631	52,867	53,090	28,559	134,515
	JULY	15,304	9,554	3,818	28,675	68,388	50,860	28,614	147,862
	AUG	14,337	9,782	15,817	39,936	62,671	49,966	44,348	156,985
	SEPT	15,001	8,692	3,923	27,617	69,961	46,472	33,714	150,147
	OCT	16,048	10,997	5,331	32,377	72,005	55,340	27,714	155,059
	NOV	17,953	11,913	4,105	33,972	73,587	63,368	40,943	177,898
	DEC	17,316	12,304	6,680	36,300	87,278	66,664	33,608	187,551
1981	JAN	15,830	9,952	3,054	28,837	72,751	60,351	28,309	161,410
	FEB	14,162	9,853	7,424	31,439	71,688	59,797	28,744	160,228
	MAR	13,460	11,965	5,101	30,526	67,956	63,761	34,870	166,586
	APR	16,206	12,437	4,199	32,843	72,257	63,258	26,361	161,876
	MAY	13,151	10,840	3,473	27,464	58,238	57,772	21,149	137,159
	JUNE	14,529	10,412	3,525	28,466	61,400	60,660	41,282	163,341
	JULY	14,180	10,200	5,043	29,423	65,761	58,913	24,551	149,625
	AUG	11,017	9,928	3,802	24,747	52,061	60,974	18,799	131,834
	SEPT	11,327	13,226	4,592	29,145	55,732	53,904	37,640	147,276
	OCT	10,709	11,338	5,021	27,068	51,508	58,102	28,920	138,530

CONSTRUCTION

1
RESIDENTIAL BUILDING ACTIVITY
NUMBER OF UNITS

	----- PRIVATE HOUSING PERMITS ISSUED -----										---STARTS--- THOUSANDS	
	ALASKA	ARIZONA	CALIF	HAWAII	IDAHC	NEVADA	OREGON	UTAH	WASH	TWELFTH DISTRICT	WEST 2	U S 2
1971	1,793	50,408	254,755	12,202	3,837	12,741	25,861	13,291	31,205	406,093	485	2,051
1972	2,317	56,409	278,244	15,491	4,252	16,664	28,048	17,553	29,135	448,113	526	2,369
1973	1,623	46,306	218,539	17,747	5,466	13,149	21,042	14,034	26,750	364,656	423	2,044
1974	1,802	32,034	127,551	16,738	5,530	5,777	14,536	12,032	26,250	242,250	282	1,332
1975	2,535	18,757	130,870	10,740	7,594	6,930	17,149	13,127	33,998	241,700	274	1,160
1976	3,743	25,039	220,148	9,254	8,665	11,416	26,514	18,433	46,346	369,558	405	1,548
1977	5,923	41,899	267,674	8,293	11,433	19,726	37,182	21,357	59,248	472,735	540	1,852
1978	4,775	60,441	241,800	8,452	8,682	23,934	37,648	20,127	59,528	465,387	547	2,001
1979	2,929	53,916	212,120	10,320	8,352	16,250	29,104	16,468	50,689	403,148	465	1,716
1980	1,869	36,428	143,176	9,348	5,380	12,114	20,008	10,455	32,522	271,300	310	1,303
1980 JUNE	225	3,231	11,421	575	496	1,082	1,539	879	3,548	22,996	245	1,184
JULY	302	3,431	13,574	722	698	1,628	2,125	852	4,513	27,845	290	1,277
AUG	204	3,603	14,152	1,201	543	1,537	2,022	1,311	3,207	27,780	373	1,411
SEPT	218	3,980	15,911	785	689	1,202	1,724	955	3,616	29,080	356	1,482
OCT	192	3,533	14,612	611	479	1,033	2,354	1,008	3,163	26,985	354	1,519
NOV	91	3,456	10,803	1,111	503	874	1,693	1,023	2,354	21,908	366	1,550
DEC	51	2,572	10,983	989	297	847	1,120	924	1,591	19,374	352	1,535
1981 JAN	96	3,063	7,797	434	314	400	957	421	2,055	15,537	281	1,660
FEB	85	2,744	8,759	321	185	632	958	500	2,199	16,383	267	1,215
MAR	139	3,508	10,639	369	333	836	1,389	651	2,626	20,490	266	1,297
APR	221	3,242	13,111	1,863	318	1,362	1,652	820	3,065	25,654	311	1,332
MAY	260	6,512	12,307	518	312	1,564	1,152	914	2,472	26,011	264	1,158
JUNE	682	5,024	11,336	547	359	1,260	1,243	696	2,515	23,662	242	1,039
JULY	220	1,875	9,141	716	360	572	1,938	748	2,074	17,644	233	1,047
AUG	218	3,980	15,911	785	689	1,202	1,724	955	3,616	29,080	212	941
SEPT	564	1,706	7,746	600	336	1,876	1,490	490	1,784	16,592	201	916
OCT	343	1,462	6,335	483	127	548	623	591	1,856	12,368	229	864
NOV	NA	NA	NA	NA	NA	NA	NA	NA	NA	NA	169	871

CONSTRUCTION

RESIDENTIAL HOUSING ACTIVITY
NOT SEASONALLY ADJUSTED

	1				1		2				
	HOMES SOLD		MEDIAN PRICE		FCR SALE		HOMES FOR SALE		RENTAL UNITS		
	(THOUSANDS)		(THOUSANDS OF DOLLARS)		(THOUSANDS)		(IN PERCENT)		-		
	WEST	U S	WEST	U S	WEST	U S	WEST	U S	WEST	U S	
1971	175	656	25.6	25.5	63	294	1.2	1.0	5.3	5.6	
1972	187	718	28.8	29.2	95	416	1.3	1.0	6.1	5.6	
1973	161	633	34.0	35.7	102	422	1.6	1.2	5.8	5.8	
1974	140	519	37.2	37.4	82	350	1.7	1.3	5.7	6.0	
1975	150	550	43.4	42.1	74	316	1.3	1.2	5.3	5.4	
1976	201	647	49.1	45.9	91	358	1.0	1.2	5.1	5.3	
1977	257	820	57.3	52.7	123	408	0.8	1.0	4.4	5.1	
1978	263	818	70.2	59.9	124	419	1.0	1.1	4.9	5.0	
1979	224	709	70.6	61.5	114	402	1.3	1.3	5.5	5.4	
1980	145	530	81.8	67.2	96	340	1.5	1.4	4.9	5.0	
1979	IV	35	130	70.6	61.5	114	402	1.3	1.3	5.5	5.4
1980	I	38	129	70.8	62.3	104	368	1.5	1.3	5.1	5.2
	II	32	126	76.1	65.4	93	340	1.8	1.4	5.5	5.6
	III	46	161	73.9	68.5	92	338	1.5	1.4	5.2	5.7
	IV	29	114	81.8	67.2	96	340	1.5	1.4	4.9	5.0
1981	I	34	123	77.1	67.1	90	319	1.8	1.3	5.0	5.2
	II	32	124	82.7	71.6	89	310	1.6	1.5	5.5	5.0
	III	24	96	79.4	70.6	83	300	1.6	1.5	5.5	5.0

CONSTRUCTION

RENTS & HOMEOWNERSHIP COSTS
1967=100
NOT SEASONALLY ADJUSTED

RESIDENTIAL RENT						HOMEOWNERSHIP COSTS					
	U S	LOS ANGELES	SAN FRANCISCO	SEATTLE	HONOLULU	U S	LOS ANGELES	SAN FRANCISCO	SEATTLE	HONOLULU	
1971	115.2	116.3	125.4	106.9	124.0	133.7	128.6	131.6	128.7	125.8	
1972	119.1	118.5	129.2	105.7	127.7	140.1	133.7	138.5	133.9	130.9	
1973	124.3	121.7	133.2	108.5	133.1	146.7	139.0	145.6	144.0	136.5	
1974	130.6	128.0	138.7	118.1	142.9	163.2	152.3	160.6	161.7	142.2	
1975	137.3	134.8	144.8	130.8	150.4	181.7	178.6	183.1	181.5	147.3	
1976	144.7	144.3	153.3	141.1	156.8	191.7	195.7	196.1	191.4	154.9	
1977	153.5	153.7	164.7	153.6	163.5	204.9	212.1	213.4	212.7	157.6	
1978	164.0	171.7	177.3	168.0	174.1	227.2	231.4	245.4	247.9	167.5	
1979	176.0	188.5	191.3	193.8	187.8	262.4	258.6	260.2	268.5	196.4	
1980	191.6	211.3	215.2	225.4	206.9	314.0	322.1	311.7	340.7	222.0	
1980	MAY	188.9	207.6	NA	225.3	NA	312.9	337.0	NA	339.5	NA
	JUNE	191.1	212.0	212.8	NA	205.6	320.4	336.4	310.8	NA	222.3
	JULY	192.1	211.6	NA	227.2	NA	315.4	325.3	NA	355.6	NA
	AUG	193.2	211.2	215.8	NA	206.1	315.4	315.6	311.9	NA	220.5
	SEPT	195.1	215.8	NA	228.6	NA	317.6	314.7	NA	352.9	NA
	OCT	197.1	220.6	223.3	NA	210.5	323.8	324.1	307.2	NA	227.9
	NOV	198.3	222.5	NA	233.6	NA	329.4	332.7	NA	363.4	NA
	DEC	199.6	223.3	227.2	NA	212.5	334.2	343.4	317.9	NA	223.4
1981	JAN	200.9	223.2	NA	229.8	NA	335.8	343.6	NA	363.6	NA
	FEB	201.9	225.4	230.8	NA	212.9	335.8	341.3	328.8	NA	226.1
	MAR	203.0	224.7	NA	236.5	NA	336.8	342.5	NA	368.0	NA
	APR	204.2	229.0	234.7	NA	220.2	339.3	345.4	356.8	NA	239.4
	MAY	205.9	232.8	NA	240.7	NA	345.0	347.1	NA	374.0	NA
	JUNE	206.8	235.2	233.2	NA	229.1	350.4	345.5	361.7	NA	242.3
	JULY	207.8	237.6	NA	237.3	NA	358.0	355.9	NA	355.0	NA
	AUG	210.3	239.1	238.5	NA	228.8	361.8	362.3	405.0	NA	244.8
	SEPT	211.9	241.2	NA	245.1	NA	367.8	375.4	NA	408.0	NA
	OCT	213.6	243.0	239.0	NA	228.2	366.7	379.1	434.0	NA	246.1

CONSTRUCTION

PAGE D - 2:

1/ EXCLUDING ALASKA AND HAWAII.

2/ INCLUDES COMMERCIAL, MANUFACTURING, EDUCATIONAL AND SCIENCE BUILDINGS, HOSPITAL AND OTHER HEALTH FACILITIES, PUBLIC BUILDINGS, RELIGIOUS BUILDINGS, AND RECREATIONAL FACILITIES.

3/ INCLUDES AWARDS FOR THE CONSTRUCTION OF SUCH FACILITIES AS STREETS AND HIGHWAYS, BRIDGES, DAMS AND RESERVOIRS, WATER SUPPLY, ELECTRIC POWER AND HEATING FACILITIES, COMMUNICATIONS AND WASTE DISPOSAL SYSTEMS, AND RIVER AND HARBOR PROJECTS.

SOURCE: F W DODGE COMPANY; DATA ARE SEASONALLY ADJUSTED BY FEDERAL RESERVE BANK OF SAN FRANCISCO.

PAGE D - 3:

1/ DATA BEGINNING JANUARY 1973 ARE NOT DIRECTLY COMPARABLE WITH DATA FOR PREVIOUS YEARS DUE TO CHANGES IN AREA COVERAGE. ANNUAL TOTALS REFLECT REVISIONS NOT DISTRIBUTED TO MONTHS.

2/ THE WEST INCLUDES MONTANA, WYOMING, COLORADO, AND NEW MEXICO IN ADDITION TO TWELFTH FEDERAL RESERVE DISTRICT STATES. THESE DATA ARE SEASONALLY ADJUSTED AT ANNUAL RATES.

SOURCE: U.S. DEPARTMENT OF COMMERCE, BUREAU OF THE CENSUS.

PAGE D - 4:

1/ NEW, SINGLE FAMILY UNITS ONLY.

2/ ANNUAL DATA ARE AS OF FOURTH QUARTER.

SOURCE: U.S. DEPARTMENT OF COMMERCE, BUREAU OF THE CENSUS

PAGE D - 5:

SOURCE: U.S. DEPARTMENT OF LABOR, BUREAU OF LABOR STATISTICS.

COMMERCIAL BANKING



TWELFTH FEDERAL RESERVE DISTRICT
 BORROWINGS AND RESERVE POSITION OF MEMBER BANKS
 MILLIONS OF DOLLARS - NOT SEASONALLY ADJUSTED
 AVERAGES OF STATEMENT WEEK FIGURES

		---BORROWINGS AT F.R. BANK---					20	
		TOTAL DEPOSITS	TOTAL RESERVES HELD	TOTAL REQUIRED RESERVES	EXCESS RESERVES	TOTAL	SEASONAL	NET RESERVE POSITION (FREE RESERVES)
1975	10/	85,403	6,174	6,127	47	21	1	26
1976		88,670	6,048	6,009	39	5	0	34
1977		96,713	6,481	6,451	31	37	0	-5
1978		109,553	7,319	7,294	25	50	2	-23
1979		116,315	8,154	8,133	21	121	4	-99
1980		124,369	8,340	8,300	41	107	3	-65
1978	IV	114,537	7,866	7,846	19	37	0	-17
1979	I	113,834	8,053	8,040	13	68	5	-54
	II	113,551	7,917	7,894	22	116	8	-93
	III	116,658	8,134	8,114	20	143	2	-122
	IV	121,216	8,513	8,483	30	156	0	-125
1980	I	120,696	8,604	8,585	19	179	7	-160
	II	122,612	8,715	8,664	51	46	5	5
	III	124,632	8,026	8,015	11	59	0	-47
	IV	129,860	8,005	7,921	84	140	0	-55
1981	I 19/	133,738	7,599	7,542	58	99	0	-40
	II	135,842	7,588	7,541	47	149	1	-101
	III	140,329	7,637	7,563	74	90	4	-15
1980	JUNE	124,399	8,439	8,423	16	3	0	13
	JULY	124,482	8,283	8,329	-46	19	0	-64
	AUG	123,723	7,789	7,774	15	26	0	-9
	SEPT	125,727	7,941	7,863	79	143	0	-63
	OCT	127,637	8,220	8,145	75	120	0	-44
	NOV	129,539	8,035	7,951	85	202	0	-116
	DEC	132,340	7,766	7,673	93	112	0	-18
1981	JAN 19/	133,842	7,829	7,791	38	184	0	-145
	FEB	133,449	7,524	7,449	75	62	0	13
	MAR	133,923	7,444	7,385	60	51	0	9
	APR	135,417	7,611	7,570	41	137	0	-95
	MAY	135,316	7,637	7,602	36	134	1	-97
	JUNE	136,898	7,510	7,443	67	180	2	-112
	JULY	139,158	7,700	7,628	72	76	4	-3
	AUG	140,672	7,687	7,634	52	83	4	-30
	SEPT	141,225	7,535	7,442	93	109	4	-14
	OCT	141,597	7,465	7,394	71	9	0	62
	NOV	141,438	7,399	7,335	64	52	0	12

BANKING

SELECTED TRANSACTIONS IN IMMEDIATELY AVAILABLE FUNDS
 (FEDERAL FUNDS AND SECURITY REPURCHASE/RESALE AGREEMENTS OF LARGE MEMBER BANKS)
 MILLIONS OF DOLLARS -- AVERAGES OF STATEMENT WEEK FIGURES

DATE	-----ONE DAY AND CONTINUING CONTRACTS-----				-----ALL OTHER MATURITIES-----		
	---BORROWINGS FROM---		---SALES TO---		---BORROWINGS FROM---		
	TOTAL	BANKS	TOTAL	BANKS	TOTAL	BANKS	OTHER DEP. INST.
1979 DEC	NA	NA	NA	NA	NA	NA	NA
1980 JAN	NA	NA	NA	NA	NA	NA	NA
FEB	NA	NA	NA	NA	NA	NA	NA
MAR	7,325	4,284	2,061	1,928	4,952	699	1,575
APR	7,196	4,184	2,284	2,161	5,119	919	1,841
MAY	8,719	5,152	2,606	2,472	5,231	1,145	1,850
JUNE	9,418	5,143	2,945	2,770	5,561	1,104	2,045
JULY	10,704	5,565	2,474	2,334	5,110	988	1,815
AUG	11,475	6,528	2,220	2,080	4,894	824	1,604
SEPT	11,771	6,845	2,515	2,428	4,722	664	1,699
OCT	10,608	5,671	2,598	2,493	6,420	1,131	2,286
NOV	10,995	5,716	2,327	2,173	6,481	1,178	2,341
DEC	11,245	6,466	2,704	2,560	6,318	991	2,281
1981 JAN	10,929	5,980	3,188	3,040	6,308	972	2,044
FEB	10,434	5,761	3,815	3,669	6,045	930	1,879
MAR	11,448	6,341	4,043	3,834	5,837	892	1,945
APR	12,583	7,608	3,208	3,094	5,798	743	1,764
MAY	11,742	7,017	2,893	2,761	5,903	688	1,907
JUNE	11,163	6,446	3,201	3,055	5,841	758	1,898
JULY	11,655	6,609	3,980	3,876	5,935	809	2,106
AUG	11,751	6,550	4,283	4,172	5,467	745	1,879
SEPT	11,038	6,111	4,873	4,724	5,780	690	1,896
OCT	10,817	5,765	4,450	4,219	5,993	938	1,993
NOV	12,122	6,332	4,686	4,427	6,435	919	2,201
DEC							

TWELFTH DISTRICT 1
 LOANS, INVESTMENTS AND DEPOSITS - ALL COMMERCIAL BANKS
 MILLIONS OF DOLLARS
 SEASONALLY ADJUSTED

LAST WED	²		³		⁴			⁵	
	LOANS AND INVESTMENTS	LOANS	LOANS LESS SEC LOANS	BUSINESS LOANS	REAL ESTATE LOANS	U S TREAS SECURITIES	OTHER SECURITIES	DEMAND DEP ADJUSTED	TIME & SAV DEPOSITS
1971	71,980	50,035	48,864	18,079	14,917	7,733	14,212	23,081	46,130
1972	81,150	58,706	57,179	20,143	17,817	7,925	14,519	26,026	51,788
1973	92,694	70,182	68,788	24,644	21,572	6,483	16,029	27,897	58,801
1974	100,810	78,110	76,182	28,441	23,688	6,213	16,487	28,435	66,787
1975	105,341	77,523	75,797	27,648	23,491	11,265	16,553	30,481	74,758
1976	113,733	84,642	82,172	27,572	26,036	12,015	17,076	33,812	78,241
1977	128,699	99,747	97,735	31,058	33,013	10,281	18,671	37,475	87,662
1978	149,431	120,466	118,183	35,416	42,562	9,508	19,457	39,630	100,405
1979	169,996	139,554	139,108	41,112	52,213	9,202	21,240	43,592	108,864
1980	181,580	150,589	150,326	46,295	59,539	9,232	21,760	43,959	125,599
1980 JUNE	174,156	142,764	141,576	42,490	56,409	9,742	21,651	43,471	115,480
JULY	177,119	144,733	143,349	42,836	56,908	10,690	21,696	44,831	116,312
AUG	179,421	146,385	145,487	43,726	57,346	11,299	21,737	45,225	118,694
SEPT	181,270	147,813	146,607	44,040	57,957	11,471	21,986	46,420	120,824
OCT	184,343	150,684	149,051	45,057	59,032	11,830	21,830	46,523	123,042
NOV	187,236	154,433	152,492	46,786	60,094	10,918	21,885	46,355	127,665
DEC	181,580	150,589	150,326	46,295	59,539	9,232	21,760	43,959	125,599
1981 JAN	189,281	156,413	154,097	46,752	61,465	10,847	22,021	43,399	132,911
FEB	190,973	157,336	154,718	46,481	62,287	11,683	21,954	42,739	135,557
MAR	189,689	156,881	155,119	46,252	62,765	10,661	22,147	42,770	133,802
APR	190,213	157,418	155,188	46,648	63,430	10,469	22,325	43,842	134,747
MAY	192,578	158,717	157,351	47,648	63,580	11,727	22,135	43,085	137,721
JUNE	192,172	158,915	156,940	48,376	63,576	11,163	22,093	42,086	139,218
JULY	194,550	160,680	158,816	49,369	64,701	12,056	21,814	41,881	142,830
AUG	197,723	163,066	161,433	50,527	65,235	12,774	21,883	41,995	145,491
SEPT	199,120	164,715	163,002	50,990	65,867	11,955	22,450	43,558	144,414
OCT	200,377	166,117	164,157	50,814	66,310	12,349	21,911	42,001	145,908
NOV	201,137	167,732	165,077	51,186	66,862	11,317	22,088	42,529	149,908

CALIFORNIA
 LOANS, INVESTMENTS AND DEPOSITS - ALL COMMERCIAL BANKS
 MILLIONS OF DOLLARS
 SEASONALLY ADJUSTED

1

LAST WED	2		3		4			TOTAL DEM DEP	5 DEM DEP ADJUSTED	TIME & SAV DEPOSITS	
	LOANS AND INVESTMENTS	2 LOANS	LOANS LESS SEC LOANS	BUSINESS LOANS	REAL ESTATE LOANS	U S TREAS SEC	OTHER SEC				
1971	8/ 51,354	35,701	35,008	13,296	10,871	5,658	9,995	20,722	15,834	33,497	
1972	57,514	41,824	40,969	14,719	12,784	5,804	9,886	24,545	17,679	37,238	
1973	66,389	50,623	49,812	18,426	15,591	4,790	10,976	25,626	19,182	42,534	
1974	72,058	56,239	55,018	20,875	17,029	4,783	11,036	25,494	19,285	50,962	
1975	74,028	54,647	53,523	19,903	16,657	8,541	10,840	27,468	20,417	54,635	
1976	79,152	59,329	57,196	19,131	18,341	8,678	11,145	28,968	23,132	55,337	
1977	88,866	69,090	67,697	21,253	23,530	7,125	12,651	33,861	25,566	61,888	
1978	103,312	84,278	82,699	24,390	30,889	6,095	12,938	34,870	26,956	70,036	
1979	119,047	99,672	99,126	28,396	39,021	5,429	13,947	37,653	29,951	73,822	
1980	127,755	109,364	109,164	32,213	45,981	4,844	13,548	40,690	30,041	87,504	
1980	JUNE	121,472	102,022	100,963	29,203	42,683	5,766	13,685	36,040	29,049	78,638
	JULY	123,078	103,210	102,563	29,414	43,066	6,344	13,523	40,081	29,714	79,471
	AUG	124,440	104,345	104,025	29,979	43,405	6,662	13,433	40,627	29,981	81,374
	SEPT	126,186	105,450	105,014	30,175	43,908	7,207	13,528	40,281	30,939	83,184
	OCT	128,603	107,989	107,083	30,961	44,786	7,195	13,419	40,526	30,809	84,961
	NOV	130,149	110,311	109,046	31,832	45,470	6,466	13,371	40,649	30,802	88,377
	DEC	127,755	109,364	109,164	32,213	45,981	4,844	13,548	40,690	30,041	87,504
1981	JAN	131,538	112,427	110,628	32,168	46,600	5,651	13,459	39,119	28,806	91,614
	FEB	132,592	112,495	111,102	31,730	47,308	6,760	13,337	38,753	28,371	94,001
	MAR	132,418	113,275	111,882	31,822	47,789	5,637	13,506	38,288	28,066	91,840
	APR	133,026	112,935	111,721	32,050	48,245	6,421	13,670	38,346	29,062	91,801
	MAY	133,983	114,464	113,487	33,120	48,424	6,004	13,515	39,048	28,542	94,752
	JUNE	134,548	115,002	113,355	33,882	48,486	6,035	13,511	35,855	27,891	95,893
	JULY	135,760	115,794	114,651	34,365	49,520	6,598	13,368	37,986	27,533	98,688
	AUG	137,669	117,062	116,371	35,035	49,868	7,196	13,412	38,265	27,385	100,281
	SEPT	138,683	117,909	117,175	35,303	50,178	6,963	13,811	40,538	28,533	99,329
	OCT	139,429	119,099	118,096	35,082	50,445	6,950	13,380	36,824	27,124	100,727
	NOV	139,734	120,420	118,502	35,173	50,846	5,942	13,372	38,029	27,703	103,745

BANKING

TWELFTH DISTRICT
MEMBER BANK DEPOSITS
MILLIONS OF DOLLARS
SEASONALLY ADJUSTED - AVERAGES OF STATEMENT WEEK FIGURES

	TOTAL	TIME AND SAVINGS	NET DEMAND ⁴	PRIVATE DEMAND	U S GOV'T DEMAND ⁴
1971	59,733.9	39,251.3	20,482.6	19,755.2	727.4
1972	66,417.6	43,750.1	22,667.5	21,767.9	899.6
1973	73,276.3	49,858.2	23,418.1	22,737.3	680.8
1974	81,498.4	57,449.3	24,049.1	23,500.5	548.6
1975 10/	87,453.1	62,100.0	25,353.1	24,900.3	452.8
1976	91,471.6	63,847.7	27,623.9	27,212.2	411.7
1977	101,186.2	70,801.3	30,385.0	29,965.7	419.3
1978	114,012.4	81,359.1	32,653.3	32,257.2	396.1
1979	120,642.1	86,955.3	33,686.8	33,380.7	306.0
1980	130,040.3	98,856.5	31,183.7	30,823.2	360.5
1980 JUNE	125,009.1	91,801.9	33,207.2	32,867.1	340.1
JULY	124,382.9	91,710.1	32,672.7	32,236.1	436.6
AUG	124,533.1	91,010.2	33,522.9	33,158.9	364.0
SEPT	125,610.3	91,446.4	34,163.9	33,863.0	301.0
OCT	127,008.7	93,076.9	33,931.8	33,562.2	369.6
NOV	128,821.9	97,576.5	31,245.4	30,901.1	344.3
DEC	130,040.3	98,856.5	31,183.7	30,823.2	360.5
1981 JAN 19/	131,216.9	102,075.6	29,141.4	28,841.5	299.8
FEB	135,018.0	106,411.9	28,606.1	28,237.8	368.3
MAR	135,050.3	106,803.1	28,247.3	27,888.7	358.6
APR	135,539.0	107,716.0	27,823.0	27,474.0	349.0
MAY	137,007.3	109,659.6	27,347.6	26,996.3	351.3
JUNE	137,419.2	110,606.9	26,812.3	26,455.8	356.5
JULY	139,265.9	112,916.0	26,349.9	26,017.6	332.3
AUG	141,774.8	115,897.0	25,877.9	25,547.8	330.1
SEPT	141,392.9	115,754.7	25,638.2	25,327.0	311.3
OCT	141,479.0	116,053.9	25,425.1	25,132.7	292.4
NOV	140,823.2	115,326.1	25,497.1	25,176.9	320.2

TWELFTH DISTRICT 18
 LOANS, INVESTMENTS AND DEPOSITS - LARGE COMMERCIAL BANKS
 MILLIONS OF DOLLARS
 NOT SEASONALLY ADJUSTED

		16 ----- LOANS -----							
		2	11						
LAST WED	AND	LOANS	FED FUNDS	TOTAL	COMMERCIAL &	REAL	CONSUMER	NON-BANK	
	INVESTMENTS	ADJUSTED	SOLD	OTHER LOANS	INDUSTRIAL	ESTATE	LOANS	FINANCIAL	
1979	DEC	136,534	115,245	5,249	114,832	33,535	43,164	24,379	4,263
1980	JAN	137,026	114,409	3,516	114,461	33,427	44,139	24,433	3,844
	FEB	138,585	115,982	3,688	116,164	34,302	44,715	24,457	3,910
	MAR	138,540	116,587	3,463	116,861	33,902	45,393	24,477	3,981
	APR	138,238	116,560	3,541	116,993	34,479	46,170	24,272	3,815
	MAY	136,600	114,940	5,063	115,370	33,563	46,447	23,847	3,369
	JUNE	136,006	114,565	3,549	114,970	33,241	46,492	23,699	3,238
	JULY	136,870	115,179	4,113	115,826	33,148	46,898	23,692	3,404
	AUG	138,014	116,676	3,276	117,089	33,736	47,283	23,742	3,564
	SEPT	139,880	118,220	4,479	118,580	34,346	47,939	23,787	3,545
	OCT	141,607	119,811	2,872	120,145	35,023	48,929	23,730	3,592
	NOV	143,423	122,091	3,379	122,422	36,486	49,564	23,762	3,509
	DEC	146,314	124,623	4,085	124,717	37,531	50,187	23,763	3,661
1981	JAN	146,776	124,425	5,492	124,400	36,946	50,738	23,713	3,562
	FEB	146,749	124,075	5,352	124,163	36,624	51,144	23,568	3,518
	MAR	146,833	124,414	3,857	124,192	36,202	51,429	23,376	3,557
	APR	147,088	125,843	4,098	126,038	37,271	51,945	22,896	3,653
	MAY	148,399	127,177	5,170	126,863	37,538	52,294	22,904	3,520
	JUNE	149,636	128,549	3,803	128,938	38,391	52,713	23,008	3,806
	JULY	150,271	128,813	5,327	129,956	38,733	53,611	22,840	3,750
	AUG	151,331	130,516	4,579	131,418	39,336	54,020	22,926	3,816
	SEPT	151,535	132,020	5,218	132,867	40,053	54,629	23,133	3,643
	OCT	152,651	132,036	5,217	132,193	39,615	54,991	23,202	3,504
	NOV	153,689	133,144	5,103	133,464	40,119	55,397	23,325	3,564
	DEC								

TWELFTH DISTRICT 18
 LOANS, INVESTMENTS AND DEPOSITS - LARGE COMMERCIAL BANKS
 MILLIONS OF DOLLARS
 NOT SEASONALLY ADJUSTED

		----- INVESTMENT ACCOUNT SECURITIES -----			
LAST WED		TOTAL	U S TREASURY SECURITIES	OBLIG STATE & POLITICAL SUBDIVISIONS	OTHER SECURITIES
1979	DEC	22,824	7,249	10,212	5,381
1980	JAN	22,741	7,199	10,191	5,343
	FEB	22,363	6,927	10,179	5,349
	MAR	22,130	6,742	10,169	5,233
	APR	21,704	6,391	10,085	5,190
	MAY	21,507	6,207	10,091	5,206
	JUNE	21,471	6,304	10,071	5,075
	JULY	21,733	6,299	10,358	5,077
	AUG	21,721	6,337	10,426	4,967
	SEPT	21,874	6,477	10,448	4,951
	OCT	22,067	6,663	10,495	4,876
	NOV	22,148	6,710	10,511	4,915
	DEC	22,678	6,909	10,737	4,944
1981	JAN	22,527	6,792	10,666	5,008
	FEB	22,370	6,689	10,611	5,062
	MAR	22,538	6,803	10,672	5,055
	APR	22,247	6,546	10,671	5,048
	MAY	22,034	6,448	10,584	5,001
	JUNE	21,727	6,340	10,463	4,970
	JULY	21,167	6,221	10,301	4,617
	AUG	21,093	5,959	10,296	4,638
	SEPT	20,906	5,680	10,423	4,842
	OCT	20,844	5,606	10,438	4,803
	NOV	20,879	5,500	10,504	4,868
	DEC				

BANKING

TWELFTH DISTRICT 18
 LOANS, INVESTMENTS AND DEPOSITS - LARGE COMMERCIAL BANKS
 MILLIONS OF DOLLARS
 NOT SEASONALLY ADJUSTED

LAST WED	TOTAL DEPOSITS	DEMAND ⁵			TIME & SAVINGS				MEMORANDA ¹²
		TOTAL	DEMAND DEP ADJUSTED	U S GOVT	TOTAL	SAVINGS	TIME IPC	STATE & LOCAL	LARGE NEG CD'S
1979 DEC	133,400	46,147	33,718	237	87,253	28,398	50,026	6,924	21,841
1980 JAN	130,576	43,346	32,111	181	87,230	28,130	50,237	6,966	21,323
FEB	129,801	42,172	30,498	422	87,629	27,854	51,067	6,807	21,457
MAR	130,466	41,714	30,376	293	88,752	27,280	52,745	6,682	21,865
APR	134,346	43,924	31,089	394	90,422	25,904	55,611	6,662	23,225
MAY	133,085	41,954	29,311	415	91,131	26,594	55,097	6,675	22,822
JUNE	131,871	41,046	30,260	484	90,825	27,561	54,467	6,135	22,669
JULY	133,364	42,797	31,119	258	90,567	28,925	53,417	5,665	22,405
AUG	134,511	42,288	31,104	468	92,223	29,393	54,647	5,423	23,567
SEPT	137,360	42,876	32,277	239	94,484	29,353	56,562	5,538	25,103
OCT	139,568	44,226	33,072	221	95,342	29,772	56,716	5,571	25,104
NOV	143,726	45,613	31,958	541	98,113	28,986	60,022	5,870	27,266
DEC	151,522	49,003	33,170	266	102,519	28,107	64,594	6,247	29,937
1981 JAN	145,688	40,033	29,002	338	105,655	28,959	67,055	6,078	30,290
FEB	145,727	39,162	27,673	476	106,565	29,227	67,890	6,004	29,836
MAR	145,734	39,278	28,420	388	106,456	30,224	67,267	5,776	29,342
APR	147,924	40,530	28,903	464	107,394	30,266	68,069	5,923	30,262
MAY	151,069	40,670	27,414	276	110,399	29,981	70,644	6,141	31,727
JUNE	150,764	39,730	27,938	517	111,034	29,878	71,975	5,761	32,029
JULY	152,658	39,133	27,478	378	113,525	29,876	75,257	5,417	34,007
AUG	154,179	38,692	27,171	435	115,487	29,546	77,786	5,323	35,391
SEPT	157,022	42,294	28,437	501	114,728	29,527	77,277	5,159	33,857
OCT	153,604	38,814	27,906	316	114,790	29,214	77,623	5,210	33,109
NOV	158,206	40,994	27,303	372	117,212	29,580	78,971	5,452	34,257
DEC									

BANKING

14
 TWELFTH DISTRICT
 LOANS, INVESTMENTS AND DEPOSITS - MEMBER BANKS
 MILLIONS OF DOLLARS
 NOT SEASONALLY ADJUSTED

LAST WED	TOTAL LOANS	TOTAL INVESTMENTS	TOTAL DEPOSITS	DEMAND	TIME AND SAVINGS
1971	46,280	19,315	66,744	26,591	40,153
1972	53,883	19,157	74,531	30,134	44,397
1973	64,479	19,387	82,191	31,683	50,508
1974	71,972	19,577	93,905	34,081	59,824
1975 10/	70,364	24,159	100,553	36,728	63,825
1976	76,660	24,844	103,212	36,719	66,493
1977	89,135	25,022	115,538	42,311	73,526
1978	106,887	23,888	128,036	44,985	83,051
1979	121,524	24,351	136,024	47,886	88,138
1980	130,269	24,011	149,608	47,732	101,876
1980 JUNE	120,290	22,765	133,598	42,155	91,443
JULY	121,472	22,890	135,461	44,192	91,269
AUG	121,926	22,993	136,509	43,628	92,881
SEPT	124,735	23,248	139,487	44,326	95,161
OCT	124,730	23,513	141,876	45,820	96,056
NOV	127,365	23,701	146,026	47,153	98,873
DEC	130,269	24,011	149,608	47,732	101,876
1981 JAN	130,449	24,015	146,794	41,010	105,784
FEB	130,150	23,790	146,802	40,051	106,751
MAR	128,606	24,253	146,729	40,166	106,563
APR	130,881	23,912	149,019	41,533	107,486
MAY	132,584	23,767	152,001	41,658	110,343
JUNE	133,158	23,566	151,739	40,725	111,014
JULY	135,841	23,327	153,856	40,290	113,566
AUG	136,495	23,594	155,051	39,772	115,279
SEPT	138,545	23,175	157,953	43,347	114,606
OCT	137,749	23,078	154,711	39,929	114,782
NOV	139,011	23,180	159,250	42,022	117,228

BANKING

ALASKA
 LOANS, INVESTMENTS AND DEPOSITS - MEMBER BANKS
 MILLIONS OF DOLLARS
 NOT SEASONALLY ADJUSTED

LAST WED	TOTAL LOANS	TOTAL INVESTMENTS	TOTAL DEPOSITS	DEMAND	TIME AND SAVINGS
1971 8/	266	188	498	223	275
1972	313	227	572	249	323
1973	375	216	601	281	320
1974	472	226	761	398	363
1975	578	314	969	524	445
1976	651	314	1,029	535	484
1977	868	279	1,122	569	553
1978	879	300	1,145	543	602
1979	825	359	1,113	528	585
1980	806	472	1,179	558	621
1980 JUNE	800	362	1,026	497	529
JULY	819	381	1,110	554	556
AUG	848	386	1,133	563	570
SEPT	838	411	1,164	573	591
OCT	814	450	1,191	590	601
NOV	846	461	1,214	597	617
DEC	806	472	1,179	558	621
1981 JAN 19/	729	462	1,101	445	656
FEB	732	462	1,109	445	664
MAR	770	450	1,111	447	664
APR	867	446	1,206	545	661
MAY	816	454	1,193	538	655
JUNE	843	437	1,204	549	655
JULY	959	467	1,247	598	649
AUG	947	490	1,256	589	667
SEPT	949	491	1,299	621	678
OCT	950	470	1,285	589	696
NOV	925	460	1,271	568	703

ARIZONA
 LCANS, INVESTMENTS AND DEPOSITS - MEMBER BANKS
 MILLIONS OF DOLLARS
 NOT SEASONALLY ADJUSTED

LAST WED	TOTAL LOANS	TOTAL INVESTMENTS	TOTAL DEPOSITS	DEMAND	TIME AND SAVINGS
1971 8/	2,189	884	2,963	1,825	1,138
1972	2,700	856	3,511	1,320	2,191
1973	3,131	772	3,788	1,375	2,413
1974	3,177	870	3,859	1,432	2,427
1975	3,501	1,135	4,506	1,615	2,891
1976	3,582	1,173	4,772	1,642	3,130
1977	4,254	1,008	5,207	1,955	3,252
1978	4,943	1,209	6,023	2,227	3,796
1979	5,599	1,383	6,943	2,381	4,562
1980	5,821	1,650	7,583	2,441	5,142
1980 JUNE	5,783	1,424	7,042	2,240	4,802
JULY	5,429	1,527	6,925	2,159	4,766
AUG	5,617	1,533	6,933	2,150	4,783
SEPT	5,671	1,569	7,020	2,188	4,832
OCT	5,581	1,613	7,170	2,287	4,883
NOV	5,740	1,629	7,407	2,405	5,002
DEC	5,821	1,650	7,583	2,441	5,142
1981 JAN 19/	5,796	1,668	7,520	2,180	5,340
FEB	5,867	1,683	7,574	2,176	5,398
MAR	5,925	1,686	7,636	2,233	5,403
APR	5,832	1,721	7,759	2,339	5,420
MAY	5,986	1,733	7,780	2,286	5,494
JUNE	6,042	1,663	7,730	2,205	5,525
JULY	6,064	1,659	7,709	2,146	5,563
AUG	6,045	1,660	7,765	2,107	5,658
SEPT	6,266	1,732	7,963	2,246	5,717
OCT	6,216	1,753	7,824	2,096	5,728
NOV	6,268	1,785	8,012	2,254	5,758

15 14
CALIFORNIA
LOANS, INVESTMENTS AND DEPOSITS - MEMBER BANKS
MILLIONS OF DOLLARS
NOT SEASONALLY ADJUSTED

LAST WED	TOTAL LOANS	TOTAL INVESTMENTS	TOTAL DEPOSITS	DEMAND	TIME AND SAVINGS
1971	34,915	14,575	50,340	19,593	30,747
1972	40,289	14,250	55,818	22,151	33,667
1973	48,866	14,480	61,983	23,412	38,571
1974	54,874	14,533	71,636	24,955	46,681
1975 10/	52,051	18,179	75,883	26,845	49,038
1976	56,589	18,166	76,222	26,319	49,903
1977	64,995	18,565	85,438	30,365	55,073
1978	78,083	17,026	93,301	32,107	61,194
1979	90,181	16,992	97,703	34,477	63,226
1980	98,351	15,628	109,203	34,519	74,684
1980 JUNE	89,450	15,448	96,360	30,286	66,074
JULY	90,848	15,274	98,002	31,859	66,143
AUG	91,168	15,147	99,020	31,410	67,610
SEPT	93,535	15,212	101,516	31,856	69,660
OCT	93,438	15,228	103,068	32,966	70,102
NOV	95,541	15,321	106,240	33,847	72,393
DEC	98,351	15,628	109,203	34,519	74,684
1981 JAN 19/	98,739	15,572	107,131	29,710	77,421
FEB	98,200	15,365	107,243	28,890	78,353
MAR	96,635	15,732	106,623	28,841	77,782
APR	98,583	15,315	108,445	29,834	78,611
MAY	100,142	15,168	110,826	29,963	80,863
JUNE	100,457	15,086	111,129	29,555	81,574
JULY	102,929	14,856	112,657	29,245	83,412
AUG	103,352	15,145	113,268	28,678	84,590
SEPT	104,795	14,695	115,396	31,321	84,075
OCT	103,864	14,478	112,665	28,689	83,976
NOV	104,890	14,374	116,401	30,631	85,770

IDAHO
 LOANS, INVESTMENTS AND DEPOSITS - MEMBER BANKS
 MILLIONS OF DOLLARS
 NOT SEASONALLY ADJUSTED

LAST WED	TOTAL LOANS	TOTAL INVESTMENTS	TOTAL DEPOSITS	DEMAND	TIME AND SAVINGS
1971 8/	858	410	1,307	588	719
1972	1,025	435	1,562	700	862
1973	1,228	417	1,747	723	1,024
1974	1,434	490	2,016	826	1,190
1975	1,510	575	2,151	825	1,326
1976	1,754	615	2,384	850	1,534
1977	1,972	701	2,651	966	1,685
1978	2,312	729	2,916	998	1,918
1979	2,412	785	3,137	962	2,175
1980	2,491	885	3,369	967	2,402
1980 JUNE	2,385	758	3,094	843	2,251
JULY	2,440	774	3,188	883	2,305
AUG	2,339	829	3,211	901	2,310
SEPT	2,370	860	3,230	902	2,328
OCT	2,441	867	3,277	924	2,353
NOV	2,455	878	3,347	962	2,385
DEC	2,491	885	3,369	967	2,402
1981 JAN	2,457	902	3,349	822	2,527
FEB	2,534	914	3,410	780	2,630
MAR	2,453	959	3,426	781	2,645
APR	2,496	915	3,411	798	2,613
MAY	2,485	899	3,428	792	2,636
JUNE	2,475	887	3,399	759	2,640
JULY	2,515	872	3,428	769	2,659
AUG	2,501	861	3,435	771	2,664
SEPT	2,538	858	3,480	802	2,678
OCT	2,543	919	3,487	749	2,738
NOV	2,519	953	3,536	787	2,749

14
NEVADA
LOANS, INVESTMENTS AND DEPOSITS - MEMBER BANKS
MILLIONS OF DOLLARS
NOT SEASONALLY ADJUSTED

LAST WED	TOTAL LOANS	TOTAL INVESTMENTS	TOTAL DEPOSITS	DEMAND	TIME AND SAVINGS
1971 8/	702	376	1,120	484	636
1972	785	381	1,235	532	703
1973	933	373	1,400	585	815
1974	962	387	1,440	596	844
1975	999	465	1,555	630	925
1976	1,039	645	1,752	711	1,041
1977	1,306	583	2,002	895	1,107
1978	1,653	647	3,337	1,003	1,334
1979	2,063	743	2,845	1,190	1,655
1980	1,916	692	2,612	1,061	1,551
1980 JUNE	1,863	586	2,563	1,028	1,535
JULY	1,931	603	2,578	1,048	1,530
AUG	1,858	658	2,562	1,040	1,522
SEPT	1,889	675	2,615	1,065	1,550
OCT	1,925	687	2,669	1,099	1,570
NOV	1,927	720	2,676	1,111	1,565
DEC	1,916	692	2,612	1,061	1,551
1981 JAN	1,873	699	2,570	979	1,591
FEB	1,901	653	2,571	962	1,609
MAR	1,928	655	2,639	978	1,661
APR	1,959	650	2,695	1,016	1,679
MAY	1,955	661	2,689	1,002	1,687
JUNE	1,931	662	2,664	984	1,680
JULY	1,960	670	2,687	951	1,736
AUG	1,950	660	2,699	938	1,761
SEPT	2,011	657	2,793	1,009	1,784
OCT	2,102	661	2,822	978	1,844
NOV	2,067	654	2,806	963	1,843

OREGON
LOANS, INVESTMENTS AND DEPOSITS - MEMBER BANKS
MILLIONS OF DOLLARS
NOT SEASONALLY ADJUSTED

LAST WED	TOTAL LOANS	TOTAL INVESTMENTS	TOTAL DEPOSITS	DEMAND	TIME AND SAVINGS
1971 8/	2,378	1,072	3,663	1,510	2,153
1972	2,811	1,089	4,094	1,724	2,370
1973	3,076	1,201	4,227	1,703	2,524
1974	3,196	1,098	4,364	1,811	2,553
1975	3,540	1,241	4,600	1,828	2,772
1976	3,564	1,317	5,020	1,967	3,053
1977	4,274	1,376	5,667	2,231	3,436
1978	5,202	1,362	6,458	2,318	4,140
1979	5,554	1,447	6,981	2,358	4,623
1980	5,730	1,616	7,264	2,218	5,046
1980 JUNE	5,342	1,510	6,792	2,026	4,766
JULY	5,276	1,489	6,778	2,102	4,676
AUG	5,425	1,501	6,803	2,114	4,689
SEPT	5,486	1,512	6,898	2,149	4,749
OCT	5,525	1,595	6,959	2,215	4,744
NOV	5,798	1,625	7,250	2,262	4,988
DEC	5,730	1,616	7,264	2,218	5,046
1981 JAN	5,806	1,598	6,899	1,889	5,010
FEB	5,809	1,595	7,081	1,869	5,212
MAR	5,743	1,602	7,089	1,903	5,186
APR	5,954	1,600	7,008	1,843	5,165
MAY	5,896	1,596	7,170	1,860	5,310
JUNE	5,927	1,600	7,210	1,824	5,386
JULY	5,990	1,597	7,203	1,758	5,445
AUG	5,987	1,585	7,320	1,811	5,509
SEPT	6,356	1,595	7,534	1,991	5,543
OCT	6,209	1,639	7,578	1,872	5,706
NOV	6,139	1,682	7,617	1,815	5,802

UTAH
 LOANS, INVESTMENTS AND DEPOSITS - MEMBER BANKS
 MILLIONS OF DOLLARS
 NOT SEASONALLY ADJUSTED

LAST WED	TOTAL LOANS	TOTAL INVESTMENTS	TOTAL DEPOSITS	DEMAND	TIME AND SAVINGS
1971 8/	1,005	424	1,489	667	822
1972	1,231	416	1,692	823	869
1973	1,392	414	1,838	788	1,050
1974	1,452	445	2,073	889	1,184
1975	1,613	602	2,346	952	1,394
1976	2,091	746	2,834	1,015	1,819
1977	2,605	731	3,302	1,204	2,098
1978	3,054	826	3,826	1,326	2,500
1979	3,216	835	4,022	1,339	2,683
1980	3,224	935	4,053	1,319	2,734
1980 JUNE	3,088	809	3,791	1,188	2,603
JULY	3,119	850	3,842	1,280	2,562
AUG	3,095	898	3,862	1,240	2,622
SEPT	3,129	931	3,847	1,237	2,610
OCT	3,237	945	3,921	1,304	2,617
NOV	3,108	949	4,000	1,373	2,627
DEC	3,224	935	4,053	1,319	2,734
1981 JAN	3,151	911	3,974	1,111	2,863
FEB	3,199	909	4,033	1,130	2,903
MAR	3,284	918	4,055	1,068	2,987
APR	3,202	928	4,109	1,129	2,980
MAY	3,132	936	4,114	1,143	2,971
JUNE	3,319	949	4,125	1,054	3,071
JULY	3,237	940	4,117	1,135	2,982
AUG	3,274	945	4,138	1,136	3,002
SEPT	3,299	953	4,189	1,174	3,015
OCT	3,301	952	4,077	1,081	2,996
NOV	3,551	954	4,309	1,169	3,140

14
 WASHINGTON
 LOANS, INVESTMENTS, AND DEPOSITS - MEMBER BANKS
 MILLIONS OF DOLLARS
 NOT SEASONALLY ADJUSTED

LAST WED	TOTAL LOANS	TOTAL INVESTMENTS	TOTAL DEPOSITS	DEMAND	TIME AND SAVINGS
1971 8/	3,964	1,383	5,345	2,386	2,959
1972	4,725	1,499	6,029	2,624	3,405
1973	5,472	1,510	6,588	2,804	3,784
1974	6,402	1,524	7,737	3,163	4,573
1975	6,569	1,644	8,523	3,497	5,026
1976	7,388	1,865	9,181	3,658	5,523
1977	8,858	1,775	10,430	4,115	6,315
1978	10,739	1,786	12,015	4,454	7,561
1979	11,674	1,807	13,280	4,651	8,629
1980	11,930	2,133	14,345	4,649	9,696
1980 JUNE	11,579	1,868	12,930	4,047	8,883
JULY	11,610	1,992	13,038	4,307	8,731
AUG	11,576	2,041	12,985	4,210	8,775
SEPT	11,817	2,078	13,197	4,356	8,841
OCT	11,769	2,128	13,621	4,435	9,186
NOV	11,950	2,118	13,892	4,596	9,296
DEC	11,930	2,133	14,345	4,649	9,696
1981 JAN	11,898	2,203	14,250	3,874	10,376
FEB	11,908	2,209	13,781	3,799	9,982
MAR	11,868	2,251	14,150	3,915	10,235
APR	11,988	2,337	14,386	4,029	10,357
MAY	12,172	2,320	14,801	4,074	10,727
JUNE	12,164	2,282	14,278	3,795	10,483
JULY	12,187	2,266	14,808	3,688	11,120
AUG	12,439	2,248	15,170	3,742	11,428
SEPT	12,331	2,194	15,299	4,183	11,116
OCT	12,564	2,206	14,973	3,875	11,098
NOV	12,652	2,318	15,298	3,835	11,463

BANKING

TWELFTH DISTRICT
 OUTSTANDING CONSUMER INSTALMENT CREDIT AT COMMERCIAL BANKS
 MILLIONS OF DOLLARS
 SEASONALLY ADJUSTED

END OF PERIOD	TOTAL INSTALMENT CREDIT	AUTOMOBILE PAPER			REVOLVING CREDIT	MOBILE HOMES PAPER	OTHER INSTALMENT CREDIT
		TOTAL	PURCHASED PAPER	DIRECTLY PLACED			
1971	8,190	3,689	2,846	843	1,278	727	2,496
1972	9,880	4,345	3,350	995	1,578	1,082	2,875
1973	11,559	4,809	3,682	1,127	2,035	1,387	3,328
1974	12,413	4,752	3,684	1,068	2,482	1,607	3,572
1975	13,374	4,846	3,704	1,142	2,787	1,653	4,088
1976	15,530	5,635	4,215	1,420	3,246	1,794	4,855
1977	19,262	6,971	5,129	1,842	4,324	2,066	5,901
1978	24,650	8,962	6,558	2,404	5,526	2,395	7,767
1979	28,527	10,085	7,359	2,726	6,600	2,850	8,992
1980	27,442	9,627	7,049	2,578	6,349	2,960	8,506
1980 JUNE	27,994	9,646	7,102	2,544	6,750	3,044	8,554
JULY	27,705	9,639	7,101	2,538	6,724	3,041	8,301
AUG	27,531	9,595	7,059	2,536	6,696	3,024	8,216
SEPT	27,555	9,570	7,036	2,534	6,654	3,033	8,298
OCT	27,539	9,500	7,017	2,483	6,656	3,036	8,347
NOV	27,491	9,693	7,086	2,607	6,346	2,951	8,501
DEC	27,442	9,627	7,049	2,578	6,349	2,960	8,506
1981 JAN	27,268	9,492	6,939	2,553	6,392	2,963	8,421
FEB	27,212	9,374	6,836	2,538	6,488	2,959	8,391
MAR	27,351	9,460	6,942	2,518	6,581	2,959	8,351
APR	27,297	9,437	6,951	2,486	6,656	2,969	8,235
MAY	27,379	9,427	6,927	2,466	6,726	2,990	8,236
JUNE	27,457	9,440	6,997	2,443	6,853	2,988	8,176
JULY	27,745	9,601	7,167	2,434	6,918	2,986	8,240
AUG	27,714	9,607	7,199	2,408	6,979	3,005	8,123
SEPT	28,018	9,656	7,283	2,373	7,028	3,018	8,316
OCT	28,291	9,748	7,386	2,362	7,094	3,055	8,394

BANKING

TWELFTH DISTRICT
 VOLUME OF CONSUMER CREDIT EXTENDED -- ALL COMMERCIAL BANKS
 MILLIONS OF DOLLARS
 SEASONALLY ADJUSTED

PERIOD	TOTAL INSTALMENT CREDIT	----- AUTOMOBILE PAPER -----				REVOLVING CREDIT	MOBILE HOMES PAPER	17 OTHER INSTALMENT CREDIT
		TOTAL	PURCHASE PAPER	DIRECTLY PLACED				
1971	8,927	3,437	2,616	821	2,687	240	2,563	
1972	10,676	3,939	3,041	898	3,388	704	2,645	
1973	12,636	4,425	3,426	999	4,599	782	2,830	
1974	13,166	3,953	3,120	833	5,730	725	2,758	
1975	14,552	4,263	3,210	1,053	6,590	583	3,116	
1976	18,211	5,202	3,825	1,377	8,381	717	3,911	
1977	22,613	6,437	4,720	1,717	10,258	912	5,006	
1978	28,565	7,795	5,731	2,064	13,142	1,113	6,515	
1979	30,685	7,719	5,682	2,037	15,562	1,218	6,186	
1980	26,596	5,977	4,473	1,504	15,238	904	4,477	
1980	JUNE	1,843	339	215	124	1,106	112	286
	JULY	2,153	518	384	134	1,287	56	292
	AUG	2,119	518	383	135	1,179	58	364
	SEPT	2,325	554	410	144	1,258	64	449
	OCT	2,316	504	370	134	1,327	62	423
	NOV	2,058	485	357	128	1,152	61	360
	DEC	2,229	481	359	122	1,258	68	422
1981	JAN	1,945	401	296	105	1,141	42	361
	FEB	2,002	415	301	114	1,278	44	265
	MAR	2,444	671	542	129	1,258	99	416
	APR	2,355	566	443	123	1,404	67	318
	MAY	2,433	572	444	128	1,400	76	385
	JUNE	2,458	657	529	128	1,421	62	318
	JULY	2,712	750	620	130	1,434	54	474
	AUG	2,460	576	468	108	1,420	68	396
	SEPT	2,600	619	505	114	1,431	74	476
	OCT	2,161	244	129	115	1,390	64	463

BANKING

SECTION: E

1/ DATA ARE FOR LAST WEDNESDAY OF THE MONTH AND ARE PARTIALLY ESTIMATED EXCEPT FOR JUNE AND DECEMBER WHICH ARE BASED ON MONTH-END CALL REPORTS. FROM 1961 TO DATE ALL SERIES ARE BASED ON ESTIMATES USING REGRESSION ANALYSIS AND HAVE REVISED SEASONAL FACTORS. A BENCHMARK HAS BEEN MADE TO THE JUNE 30, 1978 CALL REPORT AND DATA HAVE BEEN REVISED FROM JANUARY 1977 FORWARD FOR REVISED SEASONAL FACTORS.

2/ GROSS LOANS ADJUSTED TO EXCLUDE DOMESTIC INTERBANK LOANS.

3/ GROSS LOANS ADJUSTED TO EXCLUDE DOMESTIC INTERBANK LOANS AND LOANS TO BROKERS AND DEALERS AND OTHERS FOR PURCHASING AND CARRYING SECURITIES.

4/ RESIDUAL SERIES.

5/ ALL DEMAND DEPOSITS EXCEPT U.S. GOVT. AND DOMESTIC COMMERCIAL BANKS, LESS CASH ITEMS IN PROCESS OF COLLECTION.

6/ SOURCE: FR 2415X STATISTICAL RELEASE, STATISTICAL AND DATA SERVICES DEPT., FEDERAL RESERVE BANK OF SAN FRANCISCO.

7/ BEGINNING JUNE 30, 1969, DATA INCLUDE ALL BANK PREMISE SUBSIDIARIES AND OTHER MAJORITY-OWNED DOMESTIC SUBSIDIARIES.

8/ BEGINNING JUNE 30, 1971, FARMERS HOME ADMINISTRATION NOTES TOTALING AN ESTIMATED \$ 37 MILLION FOR ALL COMMERCIAL BANKS IN THE TWELFTH DISTRICT ARE INCLUDED IN OTHER SECURITIES RATHER THAN LOANS.

9/ DEPOSITS SUBJECT TO RESERVE REQUIREMENTS AS DEFINED BY REGULATION D. WEEKLY AVERAGES OF DAILY FIGURES. SEE FOOTNOTE 10.

10/ DATA ARE NOT COMPARABLE OVER TIME DUE TO CHANGES IN MEMBERSHIP. ESPECIALLY LARGE CHANGES TOOK PLACE ON JANUARY 2, 1969, AND OCTOBER 1, 1975 WHEN LARGE BANKS WITHDREW FROM MEMBERSHIP.

11/ INCLUDES SECURITIES PURCHASED UNDER AGREEMENTS TO RESELL.

12/ NEGOTIABLE CERTIFICATES OF DEPOSIT ISSUED IN DENOMINATIONS OF \$100,000 OR MORE.

13/ BEGINNING JUNE 30, 1969, LOANS AND INVESTMENTS ARE REPORTED GROSS, BEFORE DEDUCTION OF VALUATION RESERVES, RATHER THAN NET OF SUCH RESERVES AS WAS DONE PREVIOUSLY.

14/ WITHDRAWALS AND NEW MEMBERSHIPS HAVE AFFECTED THE SERIES OVER TIME. ALSO SEE FOOTNOTES 7 AND 13. SOURCE: FR 2635X RELEASE.

15/ PRIOR TO 1969 HAWAII BANKS ARE INCLUDED IN THE DISTRICT TOTAL; AFTER THAT DATE DATA FOR ONE HAWAIIAN BANK ARE INCLUDED IN THE CALIFORNIA SERIES.

16/ GROSS LOANS ADJUSTED TO EXCLUDE DOMESTIC INTERBANK LOANS. INVESTMENTS EXCLUDE TRADING ACCOUNT SECURITIES.

17/ INCLUDES HOME IMPROVEMENT PAPER, OTHER RETAIL CONSUMER GOODS PAPER, AND PERSONAL LOANS. SOURCE: SFG 18 RELEASE, FRBSF

18/ LARGE COMMERCIAL BANKS ARE DEFINED AS REPORTING BANKS WITH DOMESTIC ASSETS OF \$750 MILLION OR MORE ON DECEMBER 31, 1977. DATA ARE AVAILABLE FROM THE FR 2416X RELEASE, STATISTICAL AND DATA SERVICES DEPARTMENT, F.R.B. OF SAN FRANCISCO.

19/ BEGINNING IN JANUARY 1981 ONLY MEMBER BANKS REPORTING DEPOSIT DATA ON A WEEKLY BASIS (ON THE FR 2900) ARE INCLUDED IN THE MEMBER BANK PANEL. SMALL MEMBER BANKS REPORTING ON A QUARTERLY BASIS ARE NOT INCLUDED.

20/ TOTALS MAY NOT ADD DUE TO ROUNDING.

SOURCE: TWELFTH DISTRICT DATA, FEDERAL RESERVE BANK OF SAN FRANCISCO; UNITED STATES DATA, FEDERAL RESERVE BOARD OF GOVERNORS.

TWELFTH FEDERAL RESERVE DISTRICT

Data shown in this publication are statewide totals for the nine Western states.

Cities on map indicate location of Federal Reserve Offices.

