

ECONOMIC
INDICATORS
WESTERN
ECONOMIC
INDICATORS
WESTERN
ECONOMIC
INDICATORS
WESTERN

Federal Reserve Bank
of San Francisco

September / October 1977

Table of Contents

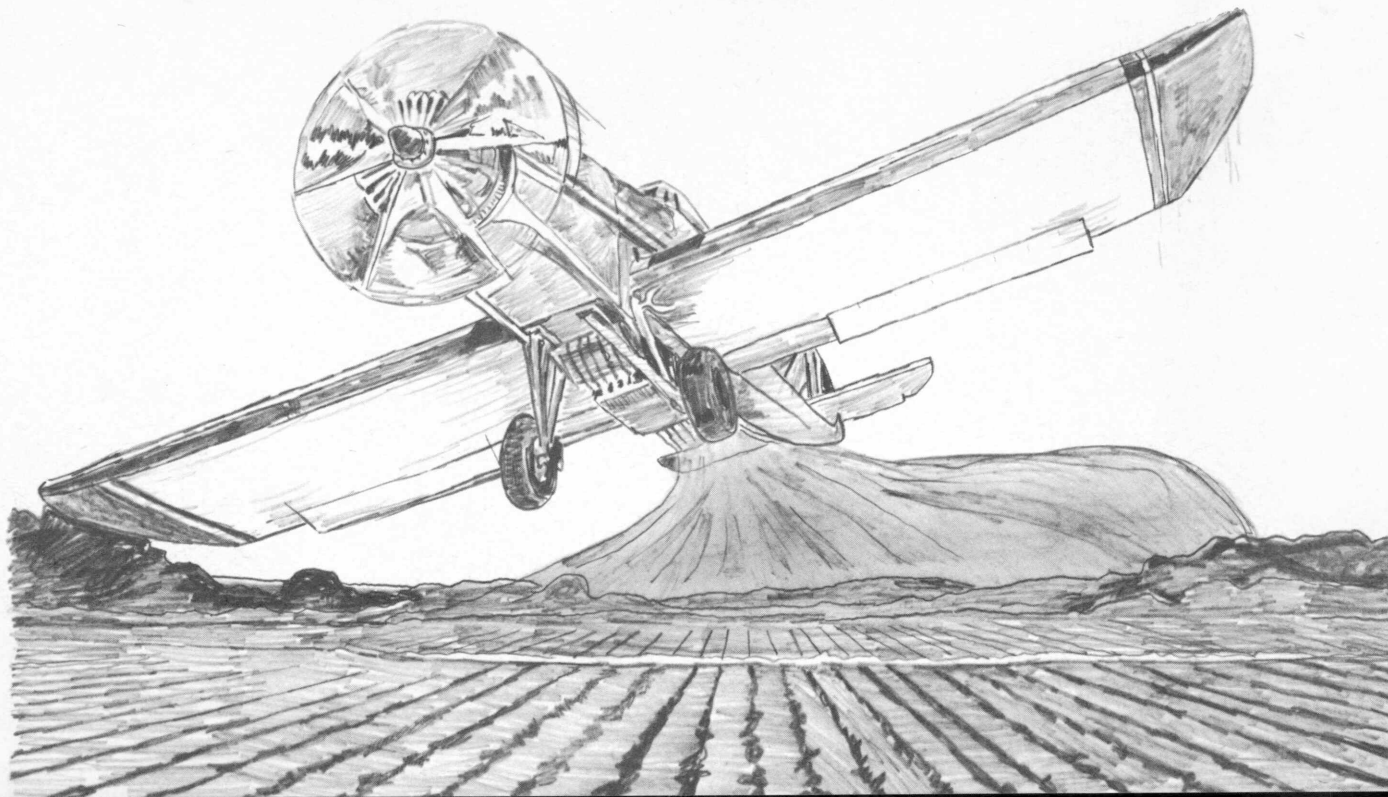
A	INCOME AND TRADE	D	CONSTRUCTION
A- 2	Personal Income: Twelfth District and Alaska	D- 2	Construction Contract Awards
A- 3	Personal Income: Arizona and California	D- 3	Residential Building Activity
A- 4	Personal Income: Hawaii and Idaho	D- 4	Residential Housing Activity
A- 5	Personal Income: Nevada and Oregon	D- 5	Residential Housing Activity
A- 6	Personal Income: Utah and Washington	D- 6	New Home Loan Characteristics
A- 7	Export-Import Trade by Means of Transportation	D- 7	Rents and Homeownership Costs
A- 8	Export-Import Trade by Commodity Group		
A- 9	Retail Sales	E	COMMERCIAL BANKING
A-10	New Passenger Car Registrations	E- 2	Member Bank Borrowings and Reserves
A-11	Consumer Price Indexes	E- 3	Federal Funds Transactions
		E- 4	Bank Credit and Deposits: Twelfth District
B	EMPLOYMENT AND EARNINGS	E- 5	Bank Credit and Deposits: California
B- 2	Total civilian Employment Seas. Adj.	E- 6	Member Bank Deposits: Twelfth District
B- 3	Unemployment Rates Seas. Adj.	E- 7	Loans of Large Commercial Banks
B- 4	Nonfarm Payroll Employment Seas. Adj.	E- 8	Investments of large Commercial Banks
B- 5	Hourly Earnings and Wage Rates	E- 9	Deposits of Large Commercial Banks
C	PRODUCTION	E-10	Member Bank Data: Twelfth District
C- 2	Production Indexes, by Industry	E-11	Member Bank Data: Alaska
C- 3	Industrial Production Indexes-Mfg.	E-12	Member Bank Data: Arizona
C- 4	Industrial Production Indexes-Mfg.	E-13	Member Bank Data: California
C- 5	Industrial Production Indexes-Mfg.	E-14	Member Bank Data: Idaho
C- 6	Electric Power Consumption	E-15	Member Bank Data: Nevada
C- 7	Prime Contract Awards: Defense	E-16	Member Bank Data: Oregon
C- 8	Procurement Awards: Space	E-17	Member Bank Data: Utah
C- 9	Receipts from Farm Marketings	E-18	Member Bank Data: Washington
C-10	Farm Prices, by Commodity	E-19	Consumer Credit—Outstanding
		E-20	Consumer Credit—Volume

Highlights of this Issue

- Manufacturing production declined modestly in the West during June, as decreased production in furniture, rubber and plastic products, and machinery and transportation equipment offset strong gains in sectors such as textiles, apparel, and fabricated metals (C-3, 4, 5).
- Employment gains continued, both in the nation and the West, during the midsummer months. Aerospace and other manufacturing, construction, trade and services industries all added workers to their payrolls in July (B-2, 4). . . . An influx of new jobseekers caused unemployment rates to rise slightly in August, in both the U.S. and California (B-3)
- Demand was on the upswing for both business and real-estate loans in the West during August. Mortgage-loan demand was especially heavy in California, but business-loan activity was lively throughout the West (E-4, 5). . . . Borrowings from the Fed soared during August to their highest level in three years—\$116 million on a daily average basis. This jump was due primarily to the disparity between the relatively low discount rate and the higher Fed funds rate (E-2, 3).
- Construction activity reverted to its late-spring level in July after shooting upward in June due to an extraordinarily large heavy construction project. The dollar volume of residential building continued to increase, while nonresidential construction remained relatively low. Housing starts were up again in both the West and the U.S. during July (D-2, 3).

Western Economic Indicators is prepared in the Research Department of the Federal Reserve Bank of San Francisco. Database services provided by SDS department, edited by Karen Rusk, artwork by William Rosenthal. Additional copies of this publication are available upon request to the Public Information Section, Federal Reserve Bank of San Francisco, P.O. Box 7702, San Francisco, California 94120.

income and trade



PERSONAL INCOME BY SOURCE
MILLIONS OF DOLLARS
SEASONALLY ADJUSTED ANNUAL RATE

TWELFTH DISTRICT

	TOTAL PERSONAL INCOME	WAGES AND SALARIES PRIVATE GOVERNMENT		OTHER LABOR INCOME	PROPRIETORS INCOME FARM NONFARM	PROPERTY INCOME	TRANSFER PAYMENTS	LESS: PERSONAL CONTRIB FOR SOCIAL INSUR
1970	131,078	66,498	22,196	4,520	1,923 8,491	18,394	13,879	4,833
1971	139,864	69,529	23,737	5,069	2,173 8,748	19,475	16,308	5,192
1972	152,094	76,160	25,775	5,845	2,513 9,134	20,923	17,778	6,058
1973	170,007	85,177	27,786	6,478	4,423 10,049	23,283	20,128	7,342
1974	190,460	94,358	30,308	7,444	5,178 10,362	27,210	23,837	8,194
1975	209,701	101,869	33,618	8,455	4,217 11,154	30,086	29,453	8,945
1976	231,507	113,105	36,815	9,386	4,151 12,661	33,140	32,357	9,826
1975	IV 218,437	105,862	34,740	8,825	4,892 11,839	31,091	30,584	9,145
1976	I 223,615	108,981	35,501	9,000	4,064 12,243	31,907	31,714	9,538
	II 227,909	111,472	36,224	9,175	4,411 12,445	32,448	31,774	9,685
	III 232,635	113,509	36,845	9,420	4,080 12,751	33,577	32,644	9,827
	IV 241,871	118,459	38,692	9,950	4,048 13,207	34,627	33,296	10,255
1977	I 249,299	122,553	39,652	10,351	4,501 13,762	35,289	34,341	10,833
ALASKA								
1970	1,412	668	586	41	1 73	82	80	49
1971	1,549	716	644	48	1 82	89	102	63
1972	1,688	763	708	57	1 88	108	121	88
1973	1,982	836	760	64	1 93	139	262	94
1974	2,402	1,300	847	86	2 114	186	232	139
1975	3,324	2,456	951	123	3 122	233	262	223
1976	3,881	3,068	1,042	148	2 138	264	330	277
1975	IV 3,652	2,802	1,001	137	4 128	248	290	251
1976	I 3,733	2,872	1,000	138	2 132	255	310	260
	II 3,863	3,150	1,038	148	2 137	260	310	283
	III 3,930	3,195	1,036	150	2 141	267	346	287
	IV 3,999	3,056	1,093	157	3 143	275	356	278
1977	I 3,994	2,838	1,114	152	3 144	280	376	264

PERSONAL INCOME BY SOURCE
MILLIONS OF DOLLARS
SEASONALLY ADJUSTED ANNUAL RATE

		ARIZONA										
		TOTAL PERSONAL INCOME	WAGES AND SALARIES PRIVATE GOVERNMENT		OTHER LABOR INCOME	PROPRIETORS INCOME FARM NONFARM		PROPERTY INCOME	TRANSFER PAYMENTS	LESS: PERSONAL CONTRIB FOR SOCIAL INSUR		
		1970	6,569	3,302	1,108	237	173	415	894	651	216	
		1971	7,363	3,710	1,260	262	160	449	995	790	268	
		1972	8,505	4,281	1,430	325	151	479	1,224	914	302	
		1973	10,018	4,992	1,618	370	238	533	1,539	1,117	394	
		1974	11,121	5,448	1,811	424	345	501	1,688	1,346	446	
		1975	11,908	5,548	2,015	475	219	546	1,812	1,745	459	
		1976	13,147	6,097	2,212	526	280	623	1,995	1,908	503	
		1975	IV	12,469	5,787	2,109	500	240	587	1,871	1,840	472
		1976	I	12,723	5,883	2,148	504	251	603	1,920	1,892	485
			II	12,902	5,987	2,172	513	248	614	1,962	1,887	490
			III	13,194	6,142	2,206	530	244	628	2,016	1,920	502
			IV	13,771	6,376	2,321	556	379	649	2,083	1,933	536
		1977	I	14,173	6,532	2,360	571	588	675	2,121	1,982	560
		CALIFORNIA										
		1970	89,895	46,091	14,598	3,160	999	5,725	12,892	9,821	3,439	
		1971	95,339	47,833	15,513	3,534	1,201	5,789	13,499	11,474	3,557	
		1972	102,950	52,105	16,877	4,025	1,291	6,051	14,304	12,409	4,178	
		1973	113,513	57,786	17,984	4,431	2,230	6,701	15,558	13,775	5,029	
		1974	126,948	63,559	19,550	5,048	2,708	6,905	18,253	16,303	5,475	
		1975	139,330	67,678	21,662	5,706	2,326	7,458	20,209	20,081	5,936	
		1976	153,556	74,735	23,719	6,307	2,354	8,453	22,275	22,011	6,493	
		1975	IV	145,069	70,383	22,315	5,966	2,742	7,918	20,874	20,787	6,075
		1976	I	148,477	72,309	22,855	6,078	2,246	8,186	21,427	21,538	6,324
			II	151,147	73,709	23,305	6,176	2,366	8,315	21,896	21,596	6,398
			III	154,181	74,950	23,737	6,335	2,226	8,517	22,517	22,193	6,483
			IV	160,421	77,971	24,980	6,641	2,580	8,794	23,262	22,718	6,769
		1977	I	165,010	80,835	25,560	6,921	2,447	9,170	23,699	23,378	7,167

FOR FOOTNOTES, SEE END OF SECTION

A- 3

PERSONAL INCOME BY SOURCE
MILLIONS OF DOLLARS
SEASONALLY ADJUSTED ANNUAL RATE

		HAWAII									
		TOTAL PERSONAL INCOME	WAGES AND SALARIES PRIVATE GOVERNMENT		OTHER LABOR INCOME	PROPRIETORS INCOME FARM NONFARM		PROPERTY INCOME ¹	TRANSFER PAYMENTS	LESS: PERSONAL CONTRIB FOR SOCIAL INSUR	
1970		3,499	1,664	947	99	21	180	473	240	126	
1971		3,749	1,739	1,016	118	36	192	495	302	150	
1972		4,100	1,872	1,106	135	33	205	547	365	165	
1973		4,617	2,133	1,223	148	39	226	618	425	195	
1974		5,069	2,334	1,299	168	33	212	737	507	221	
1975		5,674	2,552	1,445	194	60	225	796	637	237	
1976		6,140	2,750	1,541	210	36	251	868	736	253	
1975	IV	5,872	2,606	1,498	201	70	238	815	682	238	
1976	I	6,023	2,717	1,507	205	45	244	836	721	252	
	II	6,096	2,741	1,523	207	48	247	854	727	252	
	III	6,178	2,769	1,527	211	46	253	877	749	253	
	IV	6,265	2,773	1,609	218	7	261	906	748	257	
1977	I	6,454	2,916	1,622	227	7	270	923	765	276	
		IDAHO									
1970		2,363	1,053	328	71	255	191	305	239	90	
1971		2,558	1,134	359	82	244	199	338	280	90	
1972		2,858	1,297	405	99	261	204	375	315	107	
1973		3,483	1,475	449	112	526	233	437	360	120	
1974		4,096	1,693	500	133	699	261	511	432	145	
1975		4,233	1,900	573	154	388	275	568	526	161	
1976		4,681	2,136	644	175	374	314	619	581	180	
1975	IV	4,444	1,987	595	162	428	292	588	548	165	
1976	I	4,437	2,029	599	164	324	304	603	574	171	
	II	4,501	2,108	625	171	411	308	474	570	177	
	III	4,846	2,164	634	177	427	317	710	585	181	
	IV	4,941	2,242	720	190	333	328	691	597	190	
1977	I	5,216	2,312	720	196	485	341	706	626	200	

PERSONAL INCOME BY SOURCE
MILLIONS OF DOLLARS
SEASONALLY ADJUSTED ANNUAL RATE

NEVADA		TOTAL PERSONAL INCOME	WAGES AND SALARIES PRIVATE GOVERNMENT		OTHER LABOR INCOME	PROPRIETORS FARM	INCOME NONFARM	PROPERTY INCOME ¹	TRANSFER PAYMENTS	LESS: PERSONAL CONTRIB FOR SOCIAL INSUR
1970		2,250	1,363	371	64	25	125	254	161	76
1971		2,490	1,487	414	73	27	138	281	199	88
1972		2,738	1,614	459	90	32	135	321	234	100
1973		3,164	1,874	496	103	49	140	406	276	123
1974		3,537	2,050	536	120	32	148	512	343	143
1975		3,935	2,218	596	136	24	161	567	458	156
1976		4,418	2,521	664	155	25	183	623	499	176
1975	IV	4,084	2,298	622	142	28	170	584	471	160
1976	I	4,222	2,391	637	146	26	175	599	490	168
	II	4,307	2,437	654	148	28	180	612	494	170
	III	4,443	2,534	670	156	18	186	630	506	176
	IV	4,699	2,723	696	170	29	193	650	508	189
1977	I	4,909	2,869	722	179	38	200	662	529	203
OREGON										
1970		7,814	4,032	1,057	272	142	652	1,137	856	268
1971		8,522	4,355	1,153	318	140	704	1,261	985	328
1972		9,457	4,889	1,266	377	215	737	1,342	1,080	376
1973		10,759	5,530	1,400	429	385	801	1,499	1,253	455
1974		12,175	6,106	1,560	500	470	843	1,762	1,544	521
1975		13,201	6,477	1,748	564	307	892	1,927	1,908	548
1976		14,727	7,364	1,968	644	273	1,010	2,109	2,070	617
1975	IV	13,842	6,766	1,844	595	382	942	1,984	1,971	563
1976	I	14,209	7,079	1,879	616	269	975	2,035	2,039	597
	II	14,523	7,230	1,939	627	302	991	2,075	2,044	605
	III	14,811	7,414	1,979	651	241	1,013	2,131	2,085	619
	IV	15,367	7,732	2,075	682	282	1,062	2,196	2,113	646
1977	I	15,968	8,059	2,107	712	367	1,106	2,241	2,201	688

FOR FOOTNOTES, SEE END OF SECTION

PERSONAL INCOME BY SOURCE
MILLIONS OF DOLLARS
SEASONALLY ADJUSTED ANNUAL RATE

		UTAH									
		TOTAL PERSONAL INCOME	WAGES AND SALARIES PRIVATE GOVERNMENT		OTHER LABOR INCOME	PROPRIETORS' INCOME FARM NONFARM		PROPERTY INCOME	TRANSFER PAYMENTS	LESS: PERSONAL CONTRIB FOR SOCIAL INSUR	
	1970	3,439	1,637	748	129	63	202	468	323	134	
	1971	3,761	1,778	830	145	66	223	490	380	155	
	1972	4,216	2,020	889	173	79	245	552	434	180	
	1973	4,814	2,308	948	193	139	277	647	508	211	
	1974	5,350	2,624	997	229	91	292	773	582	244	
	1975	5,937	2,874	1,094	264	76	312	860	716	265	
	1976	6,700	3,300	1,217	300	74	369	945	790	301	
1975	IV	6,205	3,001	1,134	275	86	335	891	749	272	
1976	I	6,394	3,118	1,162	283	72	350	913	778	286	
	II	6,601	3,254	1,196	294	82	360	931	776	297	
	III	6,763	3,347	1,214	300	73	375	955	798	304	
	IV	7,041	3,480	1,295	323	70	392	983	808	319	
1977	I	7,243	3,598	1,320	337	71	406	1,004	836	337	
		WASHINGTON									
	1970	13,835	6,686	2,452	447	242	926	1,889	1,507	434	
	1971	14,532	6,775	2,547	487	297	970	2,028	1,794	493	
	1972	15,580	7,317	2,634	562	450	989	2,148	1,906	561	
	1973	17,657	8,243	2,908	627	814	1,043	2,440	2,149	719	
	1974	19,761	9,241	3,207	734	797	1,085	2,787	2,547	859	
	1975	22,158	10,164	3,533	839	812	1,162	3,113	3,120	958	
	1976	24,255	11,135	3,843	920	730	1,318	3,439	3,430	1,025	
1975	IV	22,800	10,232	3,622	847	912	1,229	3,236	3,246	949	
1976	I	23,397	10,583	3,714	866	829	1,274	3,319	3,372	995	
	II	23,969	10,856	3,772	891	924	1,293	3,384	3,370	1,013	
	III	24,289	10,994	3,842	910	803	1,321	3,474	3,462	1,022	
	IV	25,367	12,106	4,045	1,013	365	1,385	3,581	3,515	1,071	
1977	I	26,332	12,594	4,127	1,056	495	1,450	3,653	3,648	1,138	

EXPORT-IMPORT TRADE BY MEANS OF TRANSPORTATION-WESTERN CUSTOMS REGION
 MILLIONS OF DOLLARS
 SEASONALLY ADJUSTED

	1 -----EXPORTS-----			2 -----IMPORTS-----			
	ALL MEANS OF TRANSPORTATION	BY VESSEL	BY AIR	ALL MEANS OF TRANSPORTATION	BY VESSEL	BY AIR	
1967	4,573.0	2,874.8	490.0	3,757.6	2,883.4	286.7	
1968	5,338.0	2,937.2	588.5	4,745.8	3,751.7	400.5	
1969	6,484.7	3,734.5	910.9	6,026.7	4,890.4	553.6	
1970	7,464.4	4,191.6	1,089.0	6,838.7	5,499.5	732.0	
1971	7,198.6	3,215.3	1,183.8	7,728.4	5,521.5	918.1	
1972	8,072.1	3,931.6	1,451.9	9,969.5	7,568.6	1,299.8	
1973	12,879.0	7,101.6	2,049.6	12,971.0	10,062.9	1,796.3	
1974	17,573.6	9,355.9	2,945.5	19,723.3	15,209.4	2,270.9	
1975	18,076.6	9,806.7	2,965.9	19,277.8	14,543.4	2,379.7	
1976	20,408.6	11,006.8	3,774.9	24,619.7	20,034.3	3,239.5	
1976	JAN	1,630.7	925.9	277.4	1,821.9	1,439.3	249.7
	FEB	1,363.2	778.8	279.2	1,689.3	1,309.7	255.1
	MAR	1,462.7	831.4	301.8	2,138.5	1,654.7	282.5
	APR	1,534.7	839.4	303.8	1,862.1	1,478.2	279.0
	MAY	1,642.0	922.9	303.5	1,832.1	1,378.9	274.6
	JJNE	1,829.9	893.8	318.9	2,012.6	1,630.4	267.0
	JULY	2,104.2	1,087.1	357.1	2,201.5	1,836.5	286.8
	AUG	1,824.9	912.1	281.1	2,114.2	1,703.7	257.3
	SEPT	1,783.1	1,061.7	327.7	2,258.8	1,889.1	273.0
	OCT	1,848.5	988.6	336.3	1,928.6	1,623.3	239.1
	NOV	1,592.0	863.7	320.3	2,481.9	2,109.9	300.5
	DEC	1,792.7	901.4	367.8	2,278.2	1,980.6	274.9
1977	JAN	1,557.6	792.9	324.3	2,229.9	1,889.3	283.5
	FEB	1,563.1	987.9	289.5	2,279.4	1,962.1	293.7
	MAR	1,613.7	889.8	326.6	2,543.0	2,247.3	255.8
	APR	1,740.8	922.0	321.7	2,306.8	1,907.7	270.2
	MAY	1,656.3	961.4	312.9	2,522.6	2,134.5	247.9
	JUNE	1,668.0	949.7	318.4	2,656.3	2,266.4	270.7

FCR FOOTNOTES, SEE END OF SECTION

EXPORT-IMPORT TRADE BY SELECTED COMMODITY GROUPS-WESTERN REGION
MILLIONS OF DOLLARS
SEASONALLY ADJUSTED

		1 EXPORTS				2 IMPORTS			
		FOOD AND AGRICULTURE	CRUDE MATERIALS CHEMICALS	MACHINERY TRANSP EQUIP	OTHER	FOOD AND AGRICULTURE	CRUDE MATERIALS CHEMICALS	MACHINERY TRANSP EQUIP	OTHER
	1967	1,021.1	1,013.1	1,874.0	638.3	672.2	930.8	801.8	1,342.4
	1968	888.1	1,128.4	2,561.4	721.4	749.5	998.6	1,252.8	1,745.0
	1969	1,026.9	1,348.2	3,013.4	1,061.5	844.4	1,271.0	1,695.1	2,209.2
	1970	1,074.7	1,659.0	3,572.9	1,078.5	979.6	1,319.0	2,455.4	2,441.3
	1971	982.2	1,399.2	3,817.1	939.6	918.4	1,420.7	2,643.4	2,734.5
	1972	1,179.8	2,375.6	3,916.0	497.8	1,099.4	3,550.1	3,538.5	1,787.8
	1973	2,390.7	4,094.5	5,580.4	681.0	1,376.1	4,556.0	4,850.9	2,201.3
	1974	2,995.5	5,286.9	8,174.7	966.9	1,421.3	9,284.3	6,466.5	2,623.6
	1975	3,164.8	5,347.2	8,251.0	1,024.9	1,248.6	9,648.8	5,690.6	2,723.1
	1976	3,584.2	6,354.4	9,059.3	1,213.1	1,688.6	11,316.4	7,895.8	3,911.5
1976	JAN	324.2	477.9	703.7	84.7	116.6	767.2	623.1	276.3
	FEB	260.3	417.9	595.7	98.8	108.0	756.2	557.8	267.1
	MAR	497.3	451.8	595.1	105.0	132.5	906.9	703.8	303.9
	APR	257.3	470.6	678.2	93.2	115.3	831.7	672.3	302.0
	MAY	266.9	516.0	730.4	109.8	123.3	739.5	631.8	344.7
	JUNE	282.5	513.5	907.8	102.4	156.1	941.1	593.7	312.2
	JULY	338.2	572.1	1,051.5	111.7	159.9	978.0	695.0	355.4
	AUG	340.6	511.4	861.2	91.6	160.2	992.1	626.0	351.8
	SEPT	334.6	605.4	749.1	100.5	147.0	1,189.2	713.9	333.9
	OCT	277.2	615.5	631.3	99.9	125.6	890.1	623.1	303.6
	NOV	204.6	580.4	710.9	101.1	170.3	1,216.8	730.0	401.2
	DEC	200.5	621.9	844.4	114.4	173.8	1,107.6	725.3	359.4
1977	JAN	191.5	549.2	672.1	96.8	138.6	980.8	754.9	344.1
	FEB	261.2	605.1	573.5	100.1	136.7	1,068.7	705.4	344.1
	MAR	217.3	566.8	689.0	115.1	172.1	1,141.6	762.6	381.2
	APR	232.5	561.1	796.9	102.8	225.1	1,095.6	725.9	354.0
	MAY	273.4	580.1	689.7	101.8	203.4	1,152.5	783.2	370.0
	JUNE	257.8	568.0	705.6	117.5	168.4	1,246.5	837.0	399.9

RETAIL SALES
 MILLIONS OF DOLLARS
 SEASONALLY ADJUSTED

1

		PACIFIC DIVISION					2		--- CALIFORNIA ---	
UNITED STATES		TOTAL	DURABLE GOODS STORES	FOOD GROUP	EATING & DRINKING PLACES	GAF, TOTAL	GASOLINE SERVICE STATIONS	TOTAL	NONDURABLE GOODS STORES	
1967		313,503	43,878	14,345	10,215	3,743	10,209	3,274	32,647	22,147
1968		339,324	47,989	15,818	10,878	3,391	12,140	3,339	36,949	24,936
1969		351,633	49,098	15,580	10,834	4,049	12,886	3,740	37,835	25,797
1970		375,527	51,755	15,580	12,099	4,756	13,098	3,972	39,768	27,960
1971		408,850	56,511	17,841	12,483	5,196	14,378	4,153	43,156	29,677
1972		448,379	62,290	20,253	13,524	5,715	16,039	3,996	46,979	31,997
1973		503,317	68,956	22,206	15,009	5,345	17,981	4,366	51,318	35,082
1974		537,782	73,693	21,892	17,048	7,035	19,352	5,048	55,006	38,975
1975		584,423	82,748	24,413	19,029	8,593	21,366	5,954	61,701	43,776
1976		651,884	93,745	29,333	21,139	9,704	23,902	5,299	69,129	48,064
1976	MAR	53,344	7,355	2,276	1,623	795	1,843	502	5,499	3,801
	APR	53,696	7,773	2,395	1,791	800	1,953	526	5,737	4,035
	MAY	52,868	7,501	2,303	1,712	807	1,881	525	5,525	3,911
	JUNE	53,983	7,791	2,451	1,727	799	1,953	547	5,738	3,970
	JULY	53,754	8,055	2,455	1,858	848	2,033	538	5,915	4,173
	AUG	54,643	7,721	2,449	1,667	792	1,980	517	5,687	3,914
	SEPT	54,100	8,036	2,542	1,812	776	2,065	528	5,894	4,073
	OCT	54,634	7,934	2,507	1,829	814	2,000	521	5,825	4,074
	NOV	55,573	7,969	2,566	1,756	814	2,052	509	5,853	3,996
	DEC	57,898	8,470	2,823	1,893	859	2,182	534	6,252	4,249
1977	JAN	56,660	8,288	2,764	1,752	830	2,102	554	6,180	4,184
	FEB	58,175	8,534	2,780	1,850	908	2,154	553	6,383	4,323
	MAR	59,522	8,606	2,818	1,844	887	2,178	551	6,440	4,290
	APR	59,465	8,848	2,923	1,916	890	2,210	576	6,538	4,437
	MAY	59,181	8,517	2,881	1,815	862	2,121	540	6,235	4,203
	JUNE	58,390	8,755	2,898	1,902	863	2,184	544	6,508	4,331
	JULY	58,927	NA	NA	NA	NA	NA	NA	NA	NA
	AUG	59,915	NA	NA	NA	NA	NA	NA	NA	NA

FOR FOOTNOTES, SEE END OF SECTION

A-9

1
NEW PASSENGER CAR REGISTRATIONS
NUMBER
NOT SEASONALLY ADJUSTED

		ALASKA	ARIZONA	CALIFORNIA	HAWAII	IDAHO	NEVADA	OREGON	UTAH	WASHINGTON
	1967	6,833	52,821	809,217	28,608	23,157	18,684	78,478	33,181	112,114
	1968	8,012	60,720	897,217	33,917	25,563	21,451	93,369	35,978	118,521
	1969	8,802	74,643	918,458	39,148	24,467	25,449	93,739	36,999	124,148
	1970	8,702	68,378	868,402	36,627	21,931	21,958	80,858	31,988	97,615
	1971	9,589	80,309	937,987	35,984	24,059	24,530	96,165	40,404	117,307
	1972	10,698	89,835	995,824	37,484	26,276	30,296	101,156	45,122	130,616
	1973	9,565	96,801	1,104,689	41,919	29,788	32,578	103,678	47,113	137,985
	1974	9,745	70,543	817,583	30,932	23,385	25,603	80,871	37,980	109,256
	1975	15,381	64,051	742,697	33,693	22,922	26,361	84,870	39,785	114,709
	1976	11,886	80,129	877,508	38,006	26,284	31,040	98,481	43,567	130,902
				2		2				2
	1976	MAR	NA	NA	81,506	NA	2,004	NA	NA	12,879
		APR	NA	NA	79,687	NA	1,894	NA	NA	11,734
		MAY	NA	NA	74,608	NA	1,554	NA	NA	11,066
		JUNE	NA	NA	83,286	NA	2,495	NA	NA	12,427
		JULY	NA	NA	81,724	NA	1,906	NA	NA	11,348
		AUG	NA	NA	72,146	NA	3,177	NA	NA	11,491
		SEPT	NA	NA	70,714	NA	2,105	NA	NA	9,660
		OCT	NA	NA	77,038	NA	987	NA	NA	12,281
		NOV	NA	NA	75,766	NA	1,677	NA	NA	9,694
		DEC	NA	NA	87,402	NA	2,978	NA	NA	12,304
	1977	JAN	NA	NA	79,348	NA	3,201	NA	NA	12,350
		FEB	NA	NA	79,437	NA	2,337	NA	NA	10,117
		MAR	NA	NA	104,067	NA	2,586	NA	NA	12,128
		APR	NA	NA	100,250	NA	2,626	NA	NA	11,445
		MAY	NA	NA	99,092	NA	2,114	NA	NA	13,955
		JUNE	NA	NA	107,581	NA	NA	NA	NA	NA

CONSUMER PRICES
1967=100
NOT SEASONALLY ADJUSTED

	UNITED STATES	¹ TWELFTH DISTRICT	LOS ANGELES -LONG BEACH	SAN FRANCISCO -OAKLAND	HONOLULU	SEATTLE	SAN DIEGO	PORTLAND ²	ANCHORAGE ³
1967	100.0	100.0	100.0	100.0	100.0	100.0	100.0	100.0	NA
1968	104.2	104.0	103.9	104.5	103.8	104.1	104.1	103.5	NA
1969	109.8	109.3	108.8	110.2	108.5	109.2	109.5	108.6	105.9
1970	116.3	114.6	114.3	115.8	114.2	114.0	115.3	113.2	109.6
1971	121.3	118.4	118.5	120.1	118.9	116.4	119.8	116.1	112.9
1972	125.3	122.3	122.3	124.3	122.8	119.7	124.4	119.5	115.9
1973	133.1	129.6	129.2	131.5	128.3	127.5	132.5	127.3	120.8
1974	147.7	143.0	142.5	144.4	141.8	141.5	147.2	142.8	133.9
1975	161.2	157.6	157.6	159.1	154.4	155.8	160.8	156.5	152.3
1976	170.5	167.3	168.0	168.0	162.8	164.5	170.7	167.0	164.1
1976	MAR	167.5	163.9	163.9	165.5	160.5	NA	NA	NA
	APR	168.2	164.2	164.1	NA	NA	NA	164.4	161.7
	MAY	169.2	165.8	166.3	NA	NA	162.6	169.3	NA
	JUNE	170.1	166.4	167.0	166.9	162.3	NA	NA	NA
	JULY	171.1	168.9	168.8	NA	NA	NA	168.1	164.9
	AUG	171.9	169.1	169.7	NA	NA	165.7	172.1	NA
	SEPT	172.6	169.8	170.7	169.9	164.0	NA	NA	NA
	OCT	173.3	171.5	171.5	NA	NA	NA	169.8	167.6
	NOV	173.8	171.4	172.1	NA	NA	167.9	173.9	NA
	DEC	174.3	172.0	172.8	172.5	165.5	NA	NA	NA
1977	JAN	175.3	174.0	174.8	NA	NA	NA	172.4	169.4
	FEB	177.1	175.0	176.3	NA	NA	171.4	176.6	NA
	MAR	178.2	175.7	176.7	176.2	168.3	NA	NA	NA
	APR	179.6	177.2	177.9	NA	NA	NA	177.8	172.6
	MAY	180.6	178.0	178.5	NA	NA	176.2	180.6	NA
	JUNE	181.8	179.0	179.5	180.7	170.5	NA	NA	NA
	JULY	182.6	179.8	180.4	NA	NA	NA	181.5	177.4
	AUG	183.6	180.7	180.6	NA	NA	180.2	184.1	NA

FOR FOOTNOTES, SEE END OF SECTION

A-11

PAGE A - 2:

1/ PROPERTY INCOME EQUALS RENT, DIVIDENDS AND PERSONAL INTEREST INCOME. SOURCE: U.S. DEPARTMENT OF COMMERCE.

PAGE A- 3 :

1/ SEE PAGE 2, FOOTNOTE 1. SOURCE: U.S. DEPARTMENT OF COMMERCE.

PAGE A- 4 :

1/ SEE PAGE 2, FOOTNOTE 1. SOURCE: U.S. DEPARTMENT OF COMMERCE.

PAGE A- 5 :

1/ SEE PAGE 2, FOOTNOTE 1. SOURCE: U.S. DEPARTMENT OF COMMERCE.

PAGE A- 6 :

1/ SEE PAGE 2, FOOTNOTE 1. SOURCE: U.S. DEPARTMENT OF COMMERCE.

PAGE A- 7 :

1/ EXPORT SHIPMENTS ARE CREDITED STATISTICALLY TO THE CUSTOMS DISTRICT THROUGH WHICH THE SHIPMENT CLEARS WHEN IT LEAVES THE UNITED STATES. EXPORTS BY VESSEL OR AIR ARE CREDITED TO THE CUSTOMS DISTRICT IN WHICH THE MERCHANDISE IS LOADED ON THE VESSEL OR AIRCRAFT WHICH TAKES THE MERCHANDISE OUT OF THE COUNTRY. THEREFORE, THE CUSTOMS DISTRICT SHOWN IS NOT NECESSARILY THE DISTRICT IN WHICH THE MERCHANDISE WAS GROWN, MANUFACTURED OR OTHERWISE ORIGINATED.

2/ MERCHANDISE IMPORTS ARE CREDITED TO THE CUSTOMS DISTRICT IN WHICH THEY CLEAR THROUGH CUSTOMS FOR ENTRY INTO CONSUMPTION CHANNELS OR ENTER INTO CUSTOMS WAREHOUSE. THIS MAY NOT BE THE DISTRICT AT WHICH THE MERCHANDISE ARRIVED IN THE UNITED STATES NOR THE FINAL POINT OF DESTINATION OF THE MERCHANDISE IN THE UNITED STATES. THE DATA FOR INDIVIDUAL CUSTOMS REGIONS AND DISTRICTS EXCLUDES IMPORTS OF VESSELS MOVING UNDER THEIR OWN POWER OR AFLOAT AND ESTIMATES PER SHIPMENTS VALUED UNDER \$251.

SOURCE: U.S. DEPARTMENT OF COMMERCE, FT990. SEASONALLY ADJUSTED BY THE FEDERAL RESERVE BANK OF SAN FRANCISCO.

PAGE A- 8 : 1/ SEE PAGE 7 FOOTNOTE 1. 2/ SEE PAGE 7 FOOTNOTE 2. SOURCE: SEE PAGE 7 SOURCE.

PAGE A- 9 :

1/ PACIFIC DIVISION INCLUDES ALASKA, CALIFORNIA, HAWAII, OREGON, AND WASHINGTON.

2/ GAF INCLUDES STORES IN GENERAL MERCHANDISE (INCLUDING ALL NONSTORES), APPAREL, AND FURNITURE AND APPLIANCE GROUPS; THESE STORES SPECIALIZE IN DEPARTMENT-STORE TYPES OF MERCHANDISE.

SOURCE: U.S. DEPARTMENT OF COMMERCE, BUREAU OF THE CENSUS, SEASONALLY ADJUSTED BY THE FEDERAL RESERVE BANK OF SAN FRANCISCO.

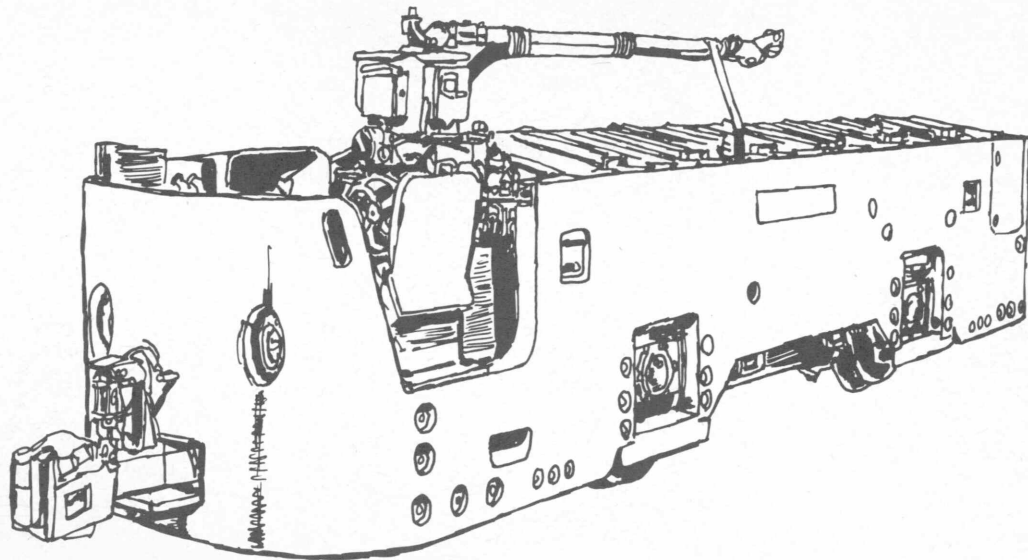
PAGE A-10 : 1/ COMPILED FROM P L POLK & CO DATA. 2/ STATE ESTIMATES.

SOURCE: ANNUAL DATA - AUTOMOTIVE NEWS ALMANAC. MONTHLY DATA - CALIFORNIA DEPARTMENT OF MOTOR VEHICLES; IDAHO DEPARTMENT OF LAW ENFORCEMENT; WASHINGTON DEPARTMENT OF MOTOR VEHICLES; U.S. DEPARTMENT OF COMMERCE (UNITED STATES DATA CHARTED ONLY).

PAGE A-11 : 1/ WEIGHTED AVERAGE OF CITIES AVAILABLE EACH MONTH CORRECTED FOR DIFFERENCE IN SAMPLE.

2/ OLD SERIES. 3/ OCTOBER 1967=100. SOURCE: U.S. BUREAU OF LABOR STATISTICS.

employment and earnings



1
TOTAL CIVILIAN EMPLOYMENT
THOUSANDS OF PERSONS
SEASONALLY ADJUSTED

	UNITED STATES	TWELFTH DISTRICT	ALASKA	ARIZONA	CALIF	HAWAII	IDAHO	NEVADA	OREGON	UTAH	WASH	
1967	74,373	11,169	88	526	7,441	283	270	176	817	380	1,186	
1968	75,921	11,584	91	551	7,724	298	274	183	844	387	1,232	
1969	77,902	12,056	98	590	8,016	317	280	197	872	400	1,286	
1970	78,627	11,514	99	621	7,540	297	281	205	803	388	1,281	
1971	79,119	11,717	104	661	7,652	305	290	212	835	401	1,258	
1972	81,702	12,222	110	728	7,937	314	303	224	894	423	1,289	
1973	84,410	12,735	116	799	8,194	328	320	244	939	447	1,349	
1974	85,935	13,197	134	828	8,512	332	336	255	939	467	1,400	
1975	84,784	13,135	165	789	8,455	331	339	260	930	480	1,387	
1976	87,485	13,473	176	854	8,596	336	356	273	965	501	1,416	
1976	MAR	86,845	13,420	187	847	8,583	333	350	266	960	494	1,401
	APR	87,329	13,431	185	851	8,584	334	349	273	960	495	1,400
	MAY	87,640	13,428	181	852	8,579	334	350	270	961	499	1,402
	JUNE	87,533	13,419	180	852	8,574	333	346	272	959	501	1,404
	JULY	87,783	13,455	179	853	8,595	333	354	273	957	504	1,408
	AUG	87,834	13,453	177	852	8,591	334	351	273	958	508	1,408
	SEPT	87,794	13,506	177	858	8,618	333	366	274	961	508	1,411
	OCT	87,738	13,545	174	858	8,630	334	367	276	973	509	1,424
	NOV	88,220	13,599	169	865	8,653	334	372	277	981	510	1,438
	DEC	88,441	13,690	139	870	8,690	362	374	285	989	509	1,472
1977	JAN	88,558	14,016	139	869	8,986	362	380	289	999	516	1,476
	FEB	88,962	14,110	141	873	9,050	364	380	292	1,003	517	1,490
	MAR	89,475	14,135	142	880	9,075	365	380	289	999	516	1,488
	APR	90,023	14,177	135	884	9,111	367	381	292	1,001	515	1,491
	MAY	90,408	14,209	129	887	9,143	369	380	295	999	511	1,495
	JUNE	90,679	14,239	128	883	9,178	363	381	297	999	511	1,499
	JULY	90,561	14,301	127	889	9,212	368	385	298	996	515	1,511
	AUG	90,771	NA	NA	NA	9,251	NA	NA	NA	NA	NA	NA

1
UNEMPLOYMENT RATES
PERCENT
SEASONALLY ADJUSTED

	UNITED STATES	TWELFTH DISTRICT	ALASKA	ARIZONA	CALIF	HAWAII	IDAHO	NEVADA	OREGON	UTAH	WASH
1967	3.8	5.0	8.8	5.0	5.0	3.5	5.0	6.3	4.8	5.0	5.1
1968	3.6	4.6	9.3	4.3	4.5	2.9	4.9	5.2	4.4	5.2	4.9
1969	3.5	4.6	8.9	4.7	4.4	2.7	4.7	4.6	4.4	5.0	5.7
1970	4.9	7.2	9.1	4.5	7.2	4.5	5.8	5.9	7.1	6.2	9.1
1971	5.9	8.4	10.6	4.9	8.8	6.3	6.3	7.0	7.6	6.5	10.1
1972	5.6	7.5	10.6	4.3	7.6	7.3	6.2	7.0	6.9	6.1	9.6
1973	4.9	6.8	10.8	4.1	7.0	6.8	5.7	6.2	6.2	5.7	7.9
1974	5.6	7.2	10.2	5.6	7.3	7.6	6.1	7.8	7.5	6.0	7.2
1975	8.5	9.6	8.2	9.5	9.9	7.2	7.4	9.4	10.6	7.4	9.5
1976	7.7	9.3	9.7	9.8	9.6	8.7	6.9	8.5	9.3	6.1	8.8
1976 MAR	7.5	9.3	8.7	10.3	9.6	9.0	6.9	8.8	9.3	6.0	9.3
APR	7.5	9.3	8.3	10.2	9.6	8.9	6.9	9.0	9.4	5.8	9.4
MAY	7.3	9.5	10.4	10.2	9.8	9.2	7.2	8.7	9.8	5.9	8.9
JUNE	7.6	9.1	9.7	9.7	9.4	8.7	7.1	8.2	9.2	6.3	8.7
JULY	7.8	9.2	9.4	9.9	9.5	8.7	6.9	8.4	9.4	6.7	8.8
AUG	7.9	9.5	10.1	9.6	9.8	9.3	7.3	8.5	9.8	7.0	8.8
SEPT	7.8	9.3	10.2	9.4	9.7	8.7	7.1	8.5	9.6	5.3	8.5
OCT	7.9	9.3	11.3	9.4	9.7	8.6	6.8	8.5	9.2	5.3	8.6
NOV	8.0	8.9	11.6	8.8	9.4	8.1	6.6	8.1	8.7	5.9	8.1
DEC	7.8	8.7	9.1	8.5	9.1	8.8	6.6	8.1	8.2	5.9	8.0
1977 JAN	7.3	8.1	10.4	7.9	8.4	8.1	6.4	7.7	8.0	5.4	7.9
FEB	7.5	7.6	11.3	7.3	7.6	8.3	6.8	7.1	8.3	5.4	8.0
MAR	7.3	7.7	10.9	7.1	7.9	8.1	6.6	7.5	8.3	5.2	7.8
APR	7.0	7.6	12.4	7.2	7.7	7.8	6.4	7.3	8.4	5.3	7.6
MAY	6.9	7.9	14.7	7.2	8.0	8.1	6.6	7.4	9.1	5.5	7.4
JUNE	7.1	7.4	12.1	6.8	7.4	7.8	5.7	7.3	8.4	5.6	7.1
JULY	6.9	7.4	13.1	6.8	7.5	7.6	5.8	6.8	8.4	6.2	7.0
AUG	7.1	NA	NA	NA	7.6	NA	NA	NA	NA	NA	NA

EMPLOYMENT

FOR FOOTNOTES, SEE END OF SECTION

TWELFTH DISTRICT NONFARM PAYROLL EMPLOYMENT
THOUSANDS OF PERSONS
SEASONALLY ADJUSTED

EMPLOYMENT

	TOTAL	AEROSPACE MFG	OTHER MFG	CONSTRUCTION	TRANSPORT ETC ¹	TRADE	SERVICES	GOVERNMENT	OTHER ²
1967	9,510	730	1,510	440	647	2,049	1,594	2,003	536
1968	9,936	737	1,576	465	666	2,138	1,696	2,091	567
1969	10,383	698	1,650	499	694	2,254	1,811	2,169	606
1970	10,441	593	1,605	499	694	2,313	1,880	2,230	633
1971	10,493	513	1,575	504	689	2,355	1,922	2,290	644
1972	11,006	530	1,654	544	697	2,482	2,051	2,369	680
1973	11,652	580	1,770	593	724	2,633	2,217	2,414	721
1974	12,028	602	1,811	577	740	2,722	2,327	2,500	749
1975	12,055	564	1,703	532	726	2,764	2,403	2,611	753
1976	12,534	515	1,843	567	732	2,914	2,480	2,689	796
1976	MAR	12,413	513	1,823	566	728	2,867	2,453	786
	APR	12,460	511	1,836	565	728	2,898	2,460	788
	MAY	12,498	512	1,835	563	731	2,920	2,468	791
	JUNE	12,536	513	1,846	560	732	2,924	2,474	794
	JULY	12,559	514	1,851	566	734	2,935	2,478	798
	AUG	12,542	516	1,849	557	730	2,928	2,483	800
	SEPT	12,601	518	1,852	565	736	2,940	2,496	804
	OCT	12,678	518	1,856	577	737	2,954	2,509	810
	NOV	12,693	519	1,866	581	734	2,942	2,520	810
	DEC	12,774	522	1,888	589	741	2,953	2,536	818
1977	JAN	12,838	522	1,898	599	749	2,971	2,552	820
	FEB	12,879	524	1,898	601	749	2,990	2,560	823
	MAR	12,947	521	1,909	617	749	3,006	2,568	829
	APR	12,957	522	1,904	607	753	3,010	2,574	830
	MAY	13,021	526	1,900	613	756	3,043	2,589	833
	JUNE	13,066	529	1,901	620	756	3,062	2,597	835
	JULY	13,086	532	1,907	628	753	3,070	2,603	828

AVERAGE HOURLY EARNINGS AND WAGE RATE
DOLLARS
NOT SEASONALLY ADJUSTED

	MANUFACTURING PRODUCTION WORKRS										FARM WAGE RATE ¹		
	U S	ALASKA	ARIZONA	CALIF	HAWAII	IDAHO	NEVADA	OREGON	UTAH	WASH	U S	RATE PCS	
1967	2.83	4.24	2.91	3.29	2.59	2.85	3.59	3.16	3.01	3.37	1.33	1.60	
1968	3.01	4.36	3.02	3.44	2.83	2.99	3.84	3.35	3.15	3.57	1.44	1.69	
1969	3.19	4.59	3.10	3.62	3.05	3.16	3.95	3.58	3.27	3.85	1.55	1.80	
1970	3.36	4.89	3.31	3.80	3.21	3.28	4.09	3.82	3.26	4.06	1.64	1.90	
1971	3.57	5.42	3.62	4.02	3.39	3.53	4.21	4.09	3.41	4.25	1.73	1.96	
1972	3.81	5.96	3.85	4.24	3.65	3.73	4.39	4.30	3.59	4.52	1.83	2.04	
1973	4.08	5.98	4.03	4.45	3.95	4.05	4.58	4.60	3.77	4.82	1.98	2.18	
1974	4.41	7.06	4.40	4.73	4.25	4.39	4.89	5.02	3.92	5.22	2.32	2.49	
1975	4.81	8.05	4.85	5.23	4.64	4.75	5.26	5.53	4.05	5.79	2.45	2.71	
1976	5.19	7.82	5.19	5.60	5.09	5.27	5.67	6.08	4.89	6.33	2.65	2.93	
1976	MAR	5.07	7.64	5.07	5.44	5.06	5.02	5.44	5.82	4.79	6.16	NA	NA
	APR	5.07	7.45	5.09	5.46	5.08	5.02	5.57	5.82	4.82	6.19	2.64	2.96
	MAY	5.12	7.61	5.09	5.51	5.08	5.06	5.47	5.93	4.81	6.17	NA	NA
	JUNE	5.15	7.93	5.15	5.57	4.87	5.33	5.56	6.17	4.93	6.31	NA	NA
	JULY	5.20	7.77	5.19	5.61	4.69	5.53	5.24	6.18	5.01	6.42	2.52	2.74
	AUG	5.21	7.70	5.26	5.67	4.79	5.51	5.77	6.13	4.94	6.44	NA	NA
	SEPT	5.31	8.23	5.31	5.73	5.31	5.51	5.68	6.24	4.96	6.44	NA	NA
	OCT	5.28	8.08	5.29	5.73	5.34	5.57	5.87	6.23	4.96	6.48	2.81	3.15
	NOV	5.34	8.07	5.35	5.77	5.41	5.47	5.88	6.28	4.97	6.52	NA	NA
	DEC	5.47	8.08	5.46	5.79	5.44	5.50	5.92	6.36	5.02	6.59	NA	NA
1977	JAN	5.46	7.98	5.45	5.81	5.37	5.51	5.74	6.38	5.07	6.59	2.86	3.16
	FEB	5.43	7.63	5.48	5.81	5.52	5.53	5.69	6.36	5.08	6.63	NA	NA
	MAR	5.48	8.41	5.45	5.85	5.49	5.35	5.84	6.38	5.08	6.64	NA	NA
	APR	5.52	8.44	5.46	5.87	5.51	5.44	5.96	6.41	5.08	6.67	2.84	3.16
	MAY	5.56	8.82	5.44	5.93	5.44	5.65	5.95	6.48	5.12	6.65	NA	NA
	JUNE	5.60	8.22	5.48	5.99	5.24	5.86	6.05	6.54	5.15	6.76	NA	NA
	JULY	5.64	8.17	5.47	6.03	5.14	5.91	6.30	6.71	5.13	NA	2.81	3.01
	AUG	5.64	NA	NA	NA	NA	NA	NA	NA	NA	NA	NA	NA

PAGE B - 2:

1/ INCLUDES NUMBER OF PERSONS INVOLVED IN LABOR DISPUTES.

SOURCE: U.S. DEPARTMENT OF LABOR, BUREAU OF LABOR STATISTICS, ALASKA; ARIZONA DEPARTMENT OF ECONOMIC SECURITY; STATE OF CALIFORNIA, EMPLOYMENT DEVELOPMENT DEPARTMENT; HAWAII DEPARTMENT OF LABOR AND INDUSTRIAL RELATIONS; DEPARTMENT OF EMPLOYMENT, IDAHO; EMPLOYMENT SECURITY DEPARTMENT, NEVADA; STATE OF OREGON, EMPLOYMENT DIVISION; U.S. DEPARTMENT OF LABOR, UTAH; STATE OF WASHINGTON, EMPLOYMENT SECURITY DEPARTMENT; U.S. DEPARTMENT OF LABOR, BUREAU OF LABOR STATISTICS. SEASONALLY ADJUSTED BY THE FEDERAL RESERVE BANK OF SAN FRANCISCO.

PAGE B - 3:

1/ RATES OBTAINED BY SEASONALLY ADJUSTING EACH CIVILIAN LABOR FORCE COMPONENT (EMPLOYMENT AND UNEMPLOYMENT) BY THE CENSUS X-11 STARTING IN 1970 THROUGH 1974, AND DIVIDING UNEMPLOYMENT BY THE CIVILIAN LABOR FORCE. THIS RATES MAY DIFFER SLIGHTLY FROM THOSE PUBLISHED BY STATE AGENCIES.

SOURCE: SEE PAGE 2 SOURCE.

PAGE B - 4:

1/ INCLUDES TRANSPORTATION, COMMUNICATION AND UTILITIES.

2/ INCLUDES FINANCE, INSURANCE & REAL ESTATE AND MINING.

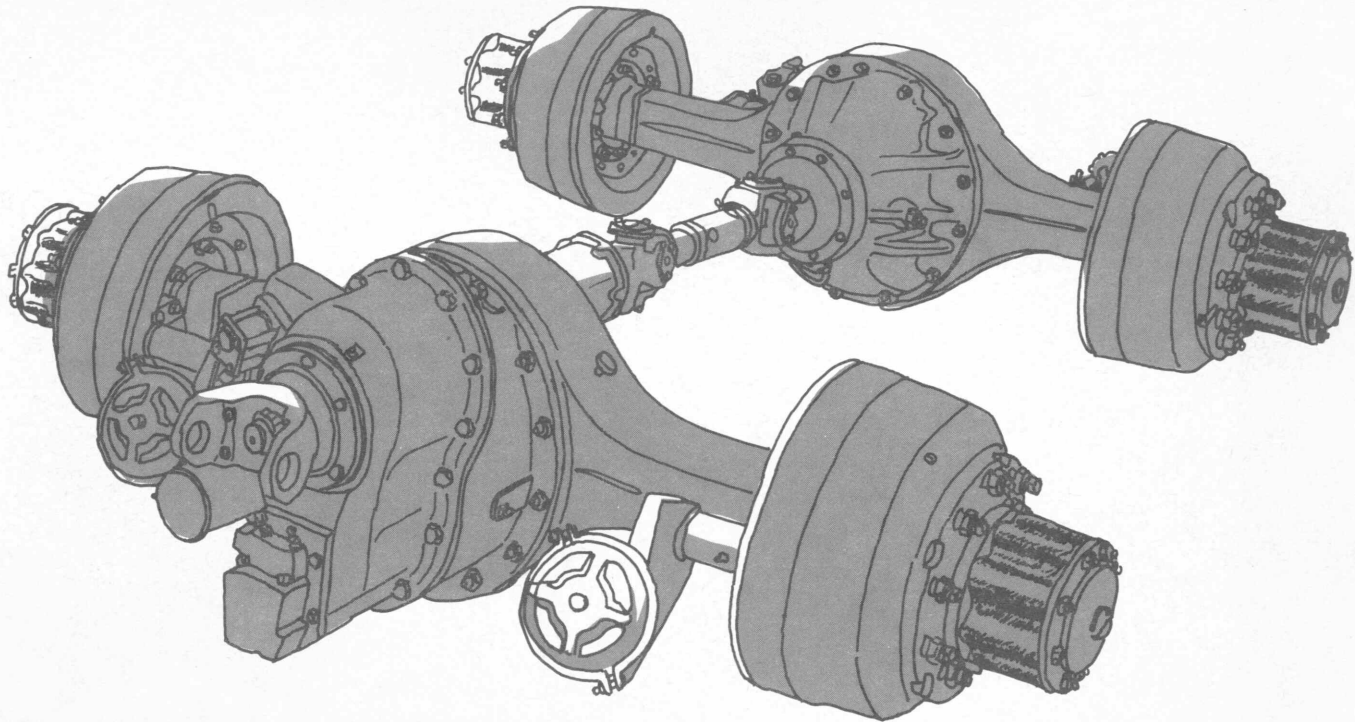
SOURCE: SEE PAGE 2 SOURCE.

PAGE B - 5:

1/ SOURCE: U.S. DEPARTMENT OF AGRICULTURE, FARM LABOR.

SOURCE: SEE PAGE 2 SOURCE. DATA ARE NOT SEASONALLY ADJUSTED.

production



DISTRICT PRODUCTION SELECTED INDUSTRIES
1967=100
SEASONALLY ADJUSTED

	LUMBER ¹	STEEL	COPPER ²	LEAD ²	ZINC ²	NATURAL GAS	CRUDE OIL	REFINED PRODUCTS	
1967	100.0	100.0	100.0	100.0	100.0	100.0	100.0	100.0	
1968	107.7	104.7	129.9	83.5	79.2	108.7	113.2	108.0	
1969	103.6	106.5	168.7	86.6	79.6	115.6	115.2	113.9	
1970	99.7	101.0	182.7	86.3	69.7	109.0	116.5	114.6	
1971	107.6	90.9	165.4	88.2	63.9	105.9	111.9	121.5	
1972	114.1	94.3	175.5	69.6	59.7	95.8	107.2	130.1	
1973	116.8	110.7	180.8	60.5	59.1	86.9	104.4	137.4	
1974	103.6	107.3	162.5	51.4	52.3	77.8	103.4	128.4	
1975	96.9	89.2	147.7	54.1	64.2	66.0	100.1	132.3	
1976	108.6	92.0	176.0	57.7	67.5	68.4	99.3	142.1	
1976	MAR	105.9	88.1	166.2	60.7	73.0	76.5	100.1	141.4
	APR	103.4	93.1	171.4	59.2	71.9	73.2	96.1	136.7
	MAY	100.4	96.2	163.7	46.3	64.5	68.2	95.2	137.2
	JUNE	96.6	98.2	174.8	52.3	63.6	66.4	94.4	138.6
	JJLY	102.8	96.0	192.0	50.9	59.8	59.8	97.8	142.8
	AUG	105.9	93.4	193.8	56.7	59.8	60.3	99.4	144.0
	SEPT	105.5	94.4	188.5	61.3	66.9	58.2	99.5	145.4
	OCT	117.7	91.3	181.0	54.6	60.7	58.9	101.0	139.6
	NOV	115.8	86.3	180.3	64.8	65.7	66.0	103.0	148.7
	DEC	127.2	93.7	181.0	57.0	69.1	84.5	105.6	158.0
1977	JAN	128.3	95.1	192.4	60.6	60.9	83.5	104.0	159.5
	FEB	111.3	82.9	183.4	58.6	68.6	85.6	104.9	158.1
	MAR	113.1	89.3	200.4	55.1	65.0	84.4	106.2	160.0
	APR	101.5	88.2	184.7	61.8	NA	82.9	NA	NA
	MAY	180.5	100.9	182.1	NA	46.5	86.5	NA	NA
	JUNE	101.4	99.9	NA	NA	NA	NA	NA	NA
	JULY	NA	98.6	NA	NA	NA	NA	NA	NA

PRODUCTION

1

TWELFTH DISTRICT INDUSTRIAL PRODUCTION INDEXES - MANUFACTURING
1967=100
SEASONALLY ADJUSTED

	TOTAL MANUFACTURING	DURABLE GOODS	NONDURABLE GOODS	FOOD & KINDRED PRODUCTS	TEXTILES	APPAREL	LUMBER & WOOD PRODUCTS	FURNITURE & FIXTURES	
1967	100.0	100.0	100.0	100.0	100.0	100.0	100.0	100.0	
1968	108.1	109.5	106.0	102.9	105.7	104.5	111.9	112.4	
1969	112.1	112.8	111.5	104.7	119.2	110.6	106.2	119.1	
1970	106.5	102.6	113.5	105.4	146.0	114.3	102.1	113.9	
1971	109.5	106.3	115.2	111.3	143.8	123.7	113.5	117.5	
1972	129.7	129.7	129.7	114.5	172.0	144.2	142.7	135.9	
1973	144.1	146.6	139.6	120.1	206.8	158.4	156.2	157.3	
1974	146.8	148.0	144.6	124.8	207.8	161.6	152.4	156.4	
1975	143.0	142.7	143.6	130.7	196.8	160.2	143.3	143.6	
1976	168.5	173.4	159.9	143.3	226.9	195.5	175.2	195.1	
1976	MAR	161.5	165.4	154.7	138.2	220.6	184.3	170.4	156.7
	APR	161.3	164.9	155.1	139.4	214.3	180.6	169.3	161.5
	MAY	167.8	171.9	160.5	142.9	231.2	197.2	171.0	201.0
	JUNE	169.2	174.5	159.8	141.0	230.7	204.9	168.1	206.5
	JULY	169.3	173.4	162.0	152.4	229.9	200.3	174.4	207.7
	AUG	170.5	176.9	159.3	145.1	226.1	195.7	173.6	209.4
	SEPT	173.5	178.6	164.6	148.2	226.1	204.0	176.7	214.8
	OCT	172.6	178.3	162.6	140.6	229.4	205.1	181.5	216.2
	NOV	179.1	186.1	166.8	148.2	236.6	203.5	186.2	222.8
	DEC	181.2	188.6	168.2	152.1	243.1	205.8	192.9	224.8
1977	JAN	185.7	195.7	168.3	147.9	242.1	201.9	195.2	231.1
	FEB	184.1	191.8	170.6	151.9	242.2	208.4	191.1	237.9
	MAR	188.4	194.2	178.3	171.9	262.5	204.5	185.1	238.6
	APR	184.0	191.2	171.6	150.7	245.1	213.0	183.9	232.9
	MAY	186.5	193.6	174.1	149.8	254.2	215.9	181.3	234.0
	JUNE	185.6	192.1	174.2	150.0	259.4	224.0	184.4	229.3

PRODUCTION

FOR FOOTNOTES, SEE END OF SECTION

1

TWELFTH DISTRICT INDUSTRIAL PRODUCTION INDEXES - MANUFACTURING
1967=100
SEASONALLY ADJUSTED

		PAPER & ALLIED PRODUCTS	PRINTING & PUBLISHING	CHEMICALS & ALLIED PRODUCTS	PETROLEUM & COAL PRODUCTS	RUBBER & PLASTIC PRODUCTS	LEATHER & LEATHER PRODUCTS	STONE, CLAY & GLASS PRODUCTS
	1967	100.0	100.0	100.0	100.0	100.0	100.0	100.0
	1968	106.9	102.7	111.5	112.6	116.2	105.2	112.0
	1969	114.5	110.0	122.4	113.9	130.2	96.7	118.4
	1970	119.4	112.5	126.4	107.1	135.3	87.4	112.2
	1971	114.8	114.5	117.5	106.6	138.1	97.0	117.7
	1972	126.1	125.3	144.4	109.4	178.7	91.2	133.4
	1973	129.5	136.8	156.3	107.3	212.5	89.4	141.2
	1974	133.1	139.6	163.6	107.5	227.1	84.5	138.6
	1975	122.4	142.3	162.3	105.3	204.0	85.1	127.4
	1976	139.4	161.0	173.3	103.6	238.9	90.2	133.5
	1976 MAR	139.0	145.7	170.1	107.5	238.5	98.1	129.7
	APR	140.8	148.7	172.5	100.8	235.8	90.7	130.5
	MAY	144.2	159.3	177.7	104.7	231.4	92.0	133.1
	JUNE	142.6	159.8	174.1	102.6	234.2	88.5	132.8
	JULY	136.5	161.5	170.1	102.1	228.5	88.4	131.9
	AUG	140.4	163.0	170.0	101.6	224.9	85.3	132.5
	SEPT	141.1	172.8	174.5	101.7	243.7	86.5	133.9
	OCT	138.5	174.7	175.0	102.3	251.1	84.7	136.8
	NOV	138.0	177.1	180.8	102.8	253.5	84.3	138.6
	DEC	139.6	175.1	178.3	103.4	255.8	86.8	138.9
	1977 JAN	144.7	178.0	180.9	100.9	265.1	86.4	143.1
	FEB	145.8	179.8	180.0	105.1	263.4	88.3	145.7
	MAR	148.2	176.0	179.3	109.6	270.5	88.4	143.9
	APR	151.2	177.5	178.1	109.3	274.9	89.7	142.5
	MAY	154.1	178.3	189.4	107.3	279.8	90.1	143.9
	JJNE	153.5	181.8	188.0	106.5	269.1	86.5	145.9

PRODUCTION

1

TWELFTH DISTRICT INDUSTRIAL PRODUCTION INDEXES - MANUFACTURING
1967=100
SEASONALLY ADJUSTED

	PRIMARY METAL PRODUCTS	FABRICATED METAL PRODUCTS	MACHINERY, EXCEPT ELECTRICAL	ELECTRICAL MACHINERY & SUPPLIES	TRANSPOR- TATION EQUIPMENT	INSTRUMENTS & RELATED PRODUCTS	OTHER MANUFAC- TURING	
1967	100.0	100.0	100.0	100.0	100.0	100.0	100.0	
1968	106.7	105.6	103.7	105.3	115.3	101.3	107.0	
1969	109.5	107.9	113.8	109.3	117.9	105.7	122.1	
1970	101.4	99.1	116.0	103.1	93.5	100.8	131.4	
1971	91.7	99.4	108.6	99.3	106.4	113.9	132.0	
1972	93.6	119.3	122.3	101.5	141.3	188.1	142.2	
1973	97.6	134.1	137.7	110.5	162.9	245.6	155.4	
1974	103.1	133.9	140.3	108.5	160.4	293.4	157.1	
1975	90.3	134.1	136.2	102.1	151.9	316.2	173.3	
1976	86.8	149.3	153.2	100.4	185.2	550.0	218.6	
1976	MAR	85.0	144.5	142.4	98.6	179.0	524.2	179.0
	APR	85.4	142.4	141.5	96.9	178.2	528.6	179.1
	MAY	86.2	149.0	157.3	100.8	179.4	542.5	235.0
	JUNE	88.0	151.5	157.4	103.3	184.4	559.1	228.7
	JJLY	89.4	149.8	158.2	103.3	176.3	565.7	235.9
	AUG	88.9	150.5	160.1	104.6	186.3	567.3	237.0
	SEPT	88.0	151.5	151.9	103.7	193.3	568.9	239.4
	OCT	87.5	152.9	161.4	90.4	191.0	572.0	244.7
	NOV	87.8	156.2	162.5	104.6	204.8	578.0	244.7
	DEC	86.3	156.7	162.0	103.4	209.7	587.0	249.1
1977	JAN	86.4	157.2	165.5	105.1	222.6	612.9	271.8
	FEB	83.6	161.2	165.1	105.0	208.9	625.5	259.1
	MAR	81.7	161.1	168.5	104.3	219.4	624.7	257.0
	APR	80.6	161.7	169.3	102.7	212.8	614.8	254.0
	MAY	80.8	156.0	167.3	104.7	221.2	627.9	251.1
	JUNE	80.7	159.9	164.8	104.5	213.3	638.7	247.2

1
ELECTRIC POWER CONSUMPTION - SELECTED INDUSTRIES
1967=100
SEASONALLY ADJUSTED

	TOTAL MFG & MINING	FOOD & KINDRED PROD	LUMBER & WOOD PROD	PAPER & ALLIED PROD	CHEM & ALLIED PROD	REFINED PETROLEUM PROD	PRIMARY METAL PROD	FABRICTD METAL PROD	MACH, EXCEPT ELECT	ELECT MACH & SUPP	TRANS- PTATION EQUIPT	
1967	99.9	99.8	100.0	100.0	99.9	99.9	99.9	100.0	99.9	100.0	100.0	
1968	108.2	106.9	110.0	111.2	105.2	107.9	107.5	101.1	113.2	111.6	109.5	
1969	118.1	111.9	110.5	119.5	103.0	113.7	126.4	111.7	128.4	120.4	110.5	
1970	121.3	115.3	116.7	126.6	104.6	121.7	128.0	114.1	135.8	131.0	102.6	
1971	118.2	118.4	128.2	130.8	103.5	124.4	116.7	111.1	145.8	134.9	102.4	
1972	125.8	124.7	145.6	141.2	111.6	143.5	121.7	107.3	157.0	141.2	106.5	
1973	130.4	130.0	150.3	143.2	117.1	143.9	127.4	107.5	165.8	148.3	108.5	
1974	136.8	133.2	140.7	145.7	123.0	145.9	147.0	94.7	159.6	142.5	93.3	
1975	131.6	139.3	131.9	128.1	118.3	148.2	134.9	96.3	162.6	143.9	80.8	
1976	143.2	151.4	150.6	150.8	125.3	153.1	141.9	110.3	204.4	161.3	95.3	
1976	MAR	136.9	145.7	149.5	152.0	123.6	159.8	134.4	95.3	176.0	149.9	93.0
	APR	137.3	147.3	146.6	155.6	127.3	141.3	137.8	89.6	177.8	147.9	92.3
	MAY	145.1	151.5	147.3	162.3	134.9	157.7	142.1	115.3	213.6	157.5	90.7
	JUNE	145.1	148.4	147.6	157.3	129.2	150.4	144.6	121.0	214.0	166.4	94.1
	JULY	145.1	162.9	146.9	146.9	122.7	154.8	146.5	116.0	216.9	165.2	86.3
	AUG	144.7	152.3	148.5	152.2	117.5	151.5	146.7	116.0	220.9	167.8	96.3
	SEPT	147.8	159.1	153.3	152.3	123.5	151.2	146.3	118.7	200.5	170.5	102.3
	OCT	147.6	148.1	155.6	144.8	124.5	153.9	146.7	121.0	225.0	169.4	99.1
	NOV	150.5	155.7	160.9	143.9	132.8	157.0	147.5	121.6	227.8	175.3	107.3
	DEC	149.9	161.1	162.3	143.5	129.2	156.9	144.8	121.1	227.6	169.2	108.1
1977	JAN	157.0	156.1	171.3	153.5	129.7	160.5	145.7	127.2	236.9	163.6	117.6
	FEB	151.8	160.6	161.6	154.4	128.4	175.9	136.1	128.3	233.6	173.2	107.1
	MAR	150.8	188.2	155.9	156.8	127.3	178.4	130.5	135.4	244.6	170.5	111.2
	APR	146.3	158.0	154.6	156.6	121.2	175.3	128.1	125.0	251.8	163.6	106.9
	MAY	147.3	158.3	150.3	162.5	138.0	156.1	128.2	114.7	233.4	164.9	109.9
	JUNE	149.0	157.5	155.7	163.2	134.2	171.2	129.0	122.7	234.8	170.2	101.8
	JULY	148.7	157.0	149.1	163.2	132.9	167.7	128.9	118.8	226.4	168.8	107.7

PRODUCTION

PRIME CONTRACT AWARDS: DEPARTMENT OF DEFENSE
MILLIONS OF DOLLARS
NOT SEASONALLY ADJUSTED

		¹ UNITED STATES	TWELF TH DISTRICT	ALASKA	ARIZONA	CALIF	HAWAII	IDAHO	NEVADA	OREGON	UTAH	WASH
1967		38,210.9	8,274.2	100.6	280.8	6,991.1	74.6	14.2	16.3	95.2	124.7	576.7
1968		38,305.7	8,692.2	99.2	318.3	7,285.2	100.9	19.7	25.8	117.3	152.9	572.9
1969		31,197.2	7,043.2	73.1	322.6	5,819.1	120.9	14.3	22.7	90.0	154.3	426.2
1970		29,804.2	7,091.4	109.2	262.4	5,861.9	104.6	8.0	14.2	81.7	152.4	497.0
1971		29,158.8	7,244.6	81.3	443.8	5,631.0	114.0	6.5	16.3	44.4	136.8	770.5
1972		31,497.5	8,044.3	122.1	388.9	6,023.3	137.0	8.9	17.6	41.3	185.4	1,119.8
1973		30,410.2	8,331.1	120.1	413.3	6,404.4	137.2	8.3	17.2	52.2	156.0	1,022.4
1974		35,804.0	10,215.1	128.0	603.2	7,763.0	264.3	7.7	25.6	57.9	152.2	1,213.2
1975		37,347.0	10,696.7	141.9	729.1	7,742.3	405.6	10.0	34.5	59.8	152.0	1,421.5
1976		44,089.6	12,549.9	163.9	544.1	9,871.4	290.3	23.4	26.0	57.2	153.9	1,419.7
1975	III	11,497.5	3,490.0	65.5	172.3	2,755.9	130.4	1.2	3.4	14.6	29.5	317.2
	IV	7,389.7	2,249.2	12.3	280.9	1,459.9	119.5	2.5	3.3	12.9	44.9	313.0
1976	I	9,770.7	3,238.4	26.9	68.1	2,668.8	72.5	4.3	3.9	13.8	25.2	354.9
	II	10,291.4	2,616.4	40.0	92.9	2,064.6	41.0	8.5	8.4	10.4	45.6	305.0
	III	9,909.7	2,502.3	53.2	143.1	1,926.1	63.3	5.5	9.2	19.1	30.8	252.0
	IV	14,117.8	4,192.8	43.8	240.0	3,211.9	113.5	5.1	4.5	13.9	52.3	507.8
1977	I	9,833.7	2,846.7	16.6	92.9	2,197.1	27.1	3.1	4.1	13.4	36.0	456.4

PRODUCTION

FOR FOOTNOTES, SEE END OF SECTION

C- 7

1
 PROCUREMENT AWARDS: NATIONAL AERONAUTICS & SPACE ADMINISTRATION
 MILLIONS OF DOLLARS
 NOT SEASONALLY ADJUSTED

	UNITED STATES	TWELFTH DISTRICT	ALASKA ²	ARIZONA	CALIF	HAWAII	IDAHO ²	NEVADA ²	OREGON ²	UTAH	WASH
1967	3,424.0	1,334.7	0.4	8.5	1,292.8	3.7	0.0	0.4	0.6	1.9	26.4
1968	3,301.4	1,214.3	0.4	6.5	1,191.2	3.6	0.0	0.2	0.7	2.4	5.5
1969	2,718.6	891.5	0.6	5.6	872.0	4.1	0.0	0.5	0.6	2.1	6.0
1970	2,592.6	732.6	2.1	6.0	712.9	3.3	0.1	0.4	0.7	1.7	5.4
1971	2,354.3	556.4	0.7	9.9	527.8	3.0	0.0	0.3	0.4	2.3	12.0
1972	2,163.5	625.6	2.1	6.7	600.4	2.2	0.0	0.7	1.1	1.8	10.6
1973	1,928.6	694.5	0.8	5.3	668.0	2.9	0.0	0.5	0.8	0.9	15.3
1974	2,412.7	1,170.8	1.2	8.3	1,128.2	3.0	0.0	0.7	1.5	11.6	16.5
1975	2,523.4	1,304.5	1.2	13.1	1,237.2	7.5	0.0	0.7	1.5	31.2	12.1
1976	1,904.4	997.3	0.5	10.6	923.3	1.8	0.0	0.6	1.2	32.9	26.6
1973											
JULY- DEC	883.0	317.6	0.2	1.7	307.0	1.8	0.0	0.4	0.1	0.5	5.9
1974											
JAN-JUNE	1,283.0	571.7	0.6	4.2	542.3	1.3	0.0	0.3	1.0	8.8	13.2
JULY- DEC	1,129.7	599.1	0.6	4.1	585.9	1.7	0.0	0.4	0.5	2.8	3.1
1975											
JAN-JUNE	1,169.5	526.9	0.8	6.2	496.0	0.6	0.0	0.2	1.0	15.7	6.4
JULY- DEC	1,353.9	777.6	0.4	6.9	741.2	6.9	0.0	0.5	0.5	15.5	5.7
1976											
JAN-JUNE	1,234.0	647.9	0.2	8.5	593.5	1.0	0.0	0.2	1.0	20.6	23.1
JULY- SEP	670.4	349.4	0.3	2.1	329.8	0.8	0.0	0.4	0.2	12.5	3.5
1976-77											
OCT- MAR	1,600.0	862.1	0.3	6.1	812.8	0.7	0.0	0.9	1.0	31.7	8.5

PRODUCTION

1
 RECEIPTS FROM FARM MARKETINGS
 MONTHLY DATA -- 12-MONTH MOVING TOTALS
 MILLIONS OF DOLLARS

	UNITED STATES	TWELFTH DISTRICT	ALASKA	ARIZONA	CALIF	HAWAII	IDAHO	NEVADA	OREGON	UTAH	WASH
1967	42,818	6,738.0	4.3	536.1	3,937.4	192.2	518.9	60.2	530.0	188.4	770.5
1968	44,184	7,189.5	4.3	574.1	4,300.4	200.7	551.8	59.3	517.4	198.2	783.3
1969	48,179	7,650.9	3.9	682.3	4,479.0	197.3	632.8	77.5	562.6	206.1	809.4
1970	50,539	7,727.9	4.7	645.8	4,530.1	210.9	666.4	84.4	568.4	222.2	795.0
1971	52,859	8,392.8	4.5	729.4	5,027.4	220.6	698.9	90.5	573.2	230.1	818.2
1972	61,190	9,510.0	5.0	835.8	5,514.0	232.5	832.6	109.8	659.1	250.8	1,070.4
1973	87,068	12,842.5	5.5	1,129.7	7,228.6	268.5	1,177.4	145.4	942.9	344.1	1,600.4
1974	92,648	15,271.9	6.3	1,210.3	8,616.0	631.3	1,462.6	136.9	1,112.0	320.2	1,776.3
1975	89,563	14,616.0	7.8	1,052.5	8,485.0	372.2	1,314.9	131.6	1,031.3	328.9	1,891.8
1976	93,490	15,289.4	7.2	1,203.8	9,142.9	298.8	1,313.5	148.9	991.9	340.9	1,905.0
1976 MAR	92,462	14,934.0	7.8	1,072.8	8,668.1	362.0	1,336.1	143.9	1,048.2	334.7	1,960.4
APR	93,069	15,002.8	7.8	1,076.6	8,699.5	358.4	1,342.6	147.5	1,056.4	338.3	1,975.7
MAY	93,379	15,050.0	7.8	1,066.0	8,748.4	354.6	1,343.6	149.2	1,058.0	341.5	1,980.9
JUNE	94,533	15,266.4	7.8	1,076.5	8,879.9	351.2	1,368.3	151.5	1,067.0	345.2	2,019.0
JULY	94,509	15,194.7	7.9	1,088.0	8,857.5	347.2	1,376.0	152.0	1,068.3	346.0	2,015.4
AUG	94,290	15,268.1	7.8	1,088.3	8,912.5	343.6	1,380.4	152.2	1,061.3	349.2	2,036.4
SEPT	93,803	15,344.0	7.7	1,086.5	8,915.2	332.4	1,435.9	152.4	1,063.5	349.3	2,064.7
OCT	92,596	15,251.8	7.6	1,102.8	8,926.9	321.0	1,379.4	153.4	1,029.1	346.3	2,048.9
NOV	93,031	15,271.8	7.3	1,163.7	9,035.4	310.3	1,332.1	155.9	1,009.7	343.0	1,977.9
DEC	93,490	15,289.4	7.2	1,203.8	9,142.9	298.8	1,313.5	148.9	991.9	340.9	1,905.0
1977 JAN	93,736	15,287.3	7.2	1,238.6	9,150.4	291.1	1,318.3	149.0	994.5	338.7	1,863.0
FEB	93,709	15,294.7	7.2	1,240.8	9,164.0	284.2	1,331.3	150.6	997.6	337.0	1,846.2
MAR	93,745	15,236.0	7.2	1,231.7	9,155.9	276.2	1,314.9	972.0	997.7	336.4	1,830.8
APR	94,413	15,593.2	7.8	1,301.1	9,493.1	305.5	1,263.3	975.7	1,006.8	342.8	1,791.3
MAY	95,349	15,734.8	7.8	1,346.5	9,572.2	304.8	1,252.5	974.0	1,024.8	349.8	1,793.2

PRODUCTION

FOR FOOTNOTES, SEE END OF SECTION

C- 9

5
FARM PRICES
NOT SEASONALLY ADJUSTED

---- ALL PRODUCTS ----
1967=100

-----INDIVIDUAL COMMODITIES-----
DOLLARS PER UNIT

			INDIVIDUAL COMMODITIES												
			DOLLARS PER UNIT												
			1	2	3	4	2	1	2	2	2	2	2		
			APPLES	ORANGES	LETTUCE	POTATOES	BARLEY	WHEAT	COTTON	BEEF	TURKEY	EGGS			
			LB	BOX	CWT	CWT	BU	BU	LB	CWT	LB	DOZ			
			U.S.	OREGON	WASH										
1967			100	100	100	0.105	5.76	5.19	1.65	1.18	1.47	0.27	24.07	0.19	0.28
1968			102	104	112	0.098	8.09	4.56	1.81	1.08	1.38	0.26	25.18	0.20	0.28
1969			107	108	110	0.067	5.39	5.53	2.41	1.22	1.29	0.23	27.59	0.22	0.34
1970			110	109	103	0.053	6.05	4.36	2.15	1.20	1.40	0.24	27.46	0.23	0.33
1971			113	109	110	0.070	6.47	6.31	1.81	1.35	1.48	0.26	30.42	0.21	0.25
1972			125	119	122	0.080	6.08	5.87	1.75	1.44	1.75	0.32	33.55	0.22	0.29
1973			179	170	180	0.100	7.17	6.68	2.73	2.10	3.56	0.37	42.80	0.35	0.52
1974			192	190	200	0.093	7.78	6.95	5.11	2.88	4.65	0.57	39.69	0.28	0.48
1975			185	184	181	0.120	7.40	6.93	3.31	2.72	3.76	0.46	36.14	0.33	0.51
1976			186	181	184	0.092	7.16	9.07	3.37	2.58	3.27	0.63	35.14	0.30	0.59
1976	MAR		185	186	192	0.072	6.30	8.20	3.70	2.74	3.72	0.57	35.10	0.31	0.54
	APR		189	185	197	0.090	6.30	8.70	4.60	2.61	3.55	0.56	38.80	0.30	0.56
	MAY		191	187	187	0.072	6.16	6.00	4.10	2.58	3.41	0.60	37.60	0.30	0.57
	JUNE		195	184	180	0.056	6.54	6.31	3.05	2.63	3.34	NA	37.50	0.31	0.54
	JULY		196	187	185	0.120	7.03	8.42	2.55	2.66	3.41	NA	34.40	0.30	0.56
	AUG		187	183	188	0.120	7.00	10.00	3.50	2.55	3.18	NA	33.90	0.27	0.63
	SEPT		187	179	182	0.130	7.35	12.20	3.30	2.56	3.08	NA	34.30	0.28	0.63
	OCT		178	172	178	0.103	7.86	16.10	3.05	2.44	2.81	0.69	32.40	0.28	0.57
	NOV		173	169	171	0.088	8.20	9.79	3.00	2.38	2.76	0.71	33.20	0.29	0.63
	DEC		179	169	163	0.092	8.48	7.42	2.70	2.38	2.56	0.72	33.80	0.31	0.63
1977	JAN		183	173	179	0.090	7.00	11.10	2.60	2.36	2.65	0.67	34.60	0.29	0.58
	FEB		187	180	180	0.092	7.50	8.60	2.55	2.25	2.67	0.70	35.10	0.32	0.58
	MAR		190	179	181	0.099	7.30	8.26	2.95	2.20	2.66	0.73	35.00	0.33	0.52
	APR		193	180	183	0.105	7.51	5.51	3.15	2.30	2.69	0.70	34.60	0.32	0.51
	MAY		194	180	176	0.105	7.06	5.46	3.05	2.18	2.60	0.66	36.10	0.32	0.43
	JUNE		184	178	175	0.117	7.85	5.50	2.90	2.14	2.55	0.61	35.20	0.34	0.44
	JULY		180	183	184	0.136	7.70	5.87	NA	2.03	2.61	0.60	37.20	0.34	0.45

PRODUCTION

PAGE C - 2:

- 1/ SUM OF COASTAL, INLAND, & CALIFORNIA REDWOOD REGIONS. INLAND REGION ADJUSTED FOR PRODUCTION OUTSIDE THE DISTRICT.
- 2/ MINE PRODUCTION.

SOURCE: NATIONAL FOREST PRODUCTS ASSOCIATION, AMERICAN IRON & STEEL INSTITUTE, U.S. DEPARTMENT OF INTERIOR, BUREAU OF MINES, SEASONALLY ADJUSTED BY THE FEDERAL RESERVE BANK OF SAN FRANCISCO.

PAGE C - 3:

1/ IN ACCORDANCE WITH THE 1972 REVISION OF THE STANDARD INDUSTRIAL CLASSIFICATION SYSTEM, THE 1972 CENSUS OF MANUFACTURES HAS DELETED SIC 19--ORDNANCE AND ACCESSORIES, AND DISTRIBUTED THE COVERAGE AMONG SIC CODES 34, 36, 37 AND 39. SINCE WE WOULD BE UNABLE TO KEEP IT CURRENT, ORDNANCE WAS DROPPED AS A SEPARATE COMPONENT OF THE TWELFTH DISTRICT MANUFACTURING PRODUCTION INDEX ...CONTINUES ON C-5

SOURCE: FEDERAL RESERVE BANK OF SAN FRANCISCO

PAGE C - 4:

1/ CONTINUED FROM C-4. BEGINNING IN 1972, HOWEVER, THE COVERAGE IS PICKED UP IN THE AFOREMENTIONED CODES CAUSING A SHARP JUMP IN THE INDEXES FOR THAT YEAR, ESPECIALLY IN SIC 37(WHICH NOW INCLUDES GUIDED MISSILES) AND SIC 38(WHICH NOW INCLUDES OPTICAL INSTRUMENTS AND LENSES).

SOURCE: FEDERAL RESERVE BANK OF SAN FRANCISCO

PAGE C - 5:

- 1/ SEE FOOTNOTE 1 ON PAGES C-4 AND C-5

SOURCE: FEDERAL RESERVE BANK OF SAN FRANCISCO

PAGE C - 6:

- 1/ FIGURES ARE BASED ON REPORTS FROM UTILITIES IN THE 12TH DISTRICT.

SOURCE: FEDERAL RESERVE BANK OF SAN FRANCISCO.

PAGE C - 7:

- 1/ NET VALUE OF CONTRACTS OF \$10,000 OR MORE FOR WORK IN EACH STATE AND THE DISTRICT OF COLUMBIA.

SOURCE: DEPARTMENT OF DEFENSE.

PAGE C - 8:

C - 11

2/ 0.0 INDICATES LESS THAN \$100,000.

SOURCE: ANNUAL AND SEMI-ANNUAL PROCUREMENT REPORT, NASA.

PAGE C - 9:

1/ BEGINNING WITH THE MARCH 1975 ISSUE, THE MONTHLY DATA ARE 12-MONTH MOVING TOTALS. THE MARCH ISSUE ALSO CONTAINS MAJOR DATA REVISIONS RECENTLY MADE BY THE U.S. DEPARTMENT OF AGRICULTURE.

SOURCE: U.S. DEPARTMENT OF AGRICULTURE.

PAGE C -10:

1/ WASHINGTON.

2/ CALIFORNIA.

3/ UNITED STATES.

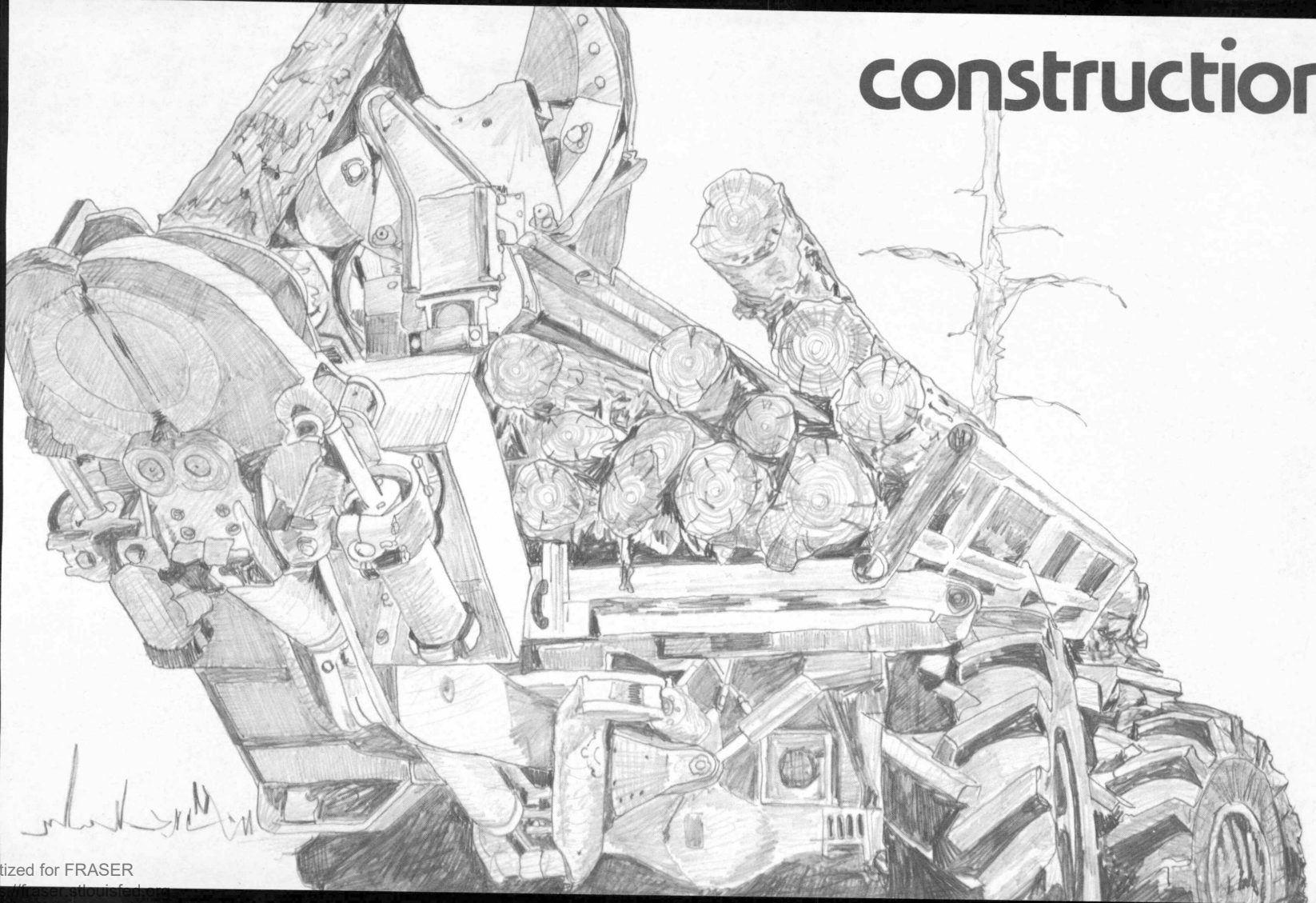
4/ IDAHO.

5/ ALL MONTHLY PRICES ARE AVERAGES FOR THE PERIOD FROM THE 15TH DAY OF THE PREVIOUS MONTH TO THE 15TH DAY OF THE MONTH INDICATED). PRIOR TO THE JULY/AUGUST 1976 ISSUE, THE BARLEY, WHEAT AND BEEF PRICE SERIES WERE AVERAGES OF THE THREE PACIFIC STATES. BECAUSE OF A CHANGE IN THE U.S.D.A.'S REPORTING OF THESE PRICE SERIES, PRICES ARE NOW GIVEN FOR CALIFORNIA BARLEY, WASHINGTON WHEAT AND CALIFORNIA BEEF.

6/ BEGINNING WITH THE JULY/AUGUST 1976 ISSUE, THE PRICE INDEXES ARE CONSTRUCTED WITH A NEW SET OF BASE WEIGHTS DERIVED FROM AVERAGE SALES OVER THE 1971-73 PERIOD. THIS IS THE FIRST ADJUSTMENT OF THESE WEIGHTS BY U.S.D.A. SINCE THE LATE 1950'S.

SOURCE: U.S. DEPARTMENT OF AGRICULTURE.

construction



sketch

itized for FRASER

ff

ive Ban

CONSTRUCTION CONTRACTS
MILLIONS OF DOLLARS
SEASONALLY ADJUSTED ANNUAL RATE

		TWELFTH DISTRICT ¹				UNITED STATES			
		NON ²	NON ³			NON ²	NON ³		
		RESIDENTIAL	BUILDING	TOTAL			RESIDENTIAL	BUILDING	TOTAL
	RESIDENTIAL	RESIDENTIAL	BUILDING	TOTAL	RESIDENTIAL	RESIDENTIAL	RESIDENTIAL	BUILDING	TOTAL
1967	3,186	2,871	2,355	8,411	21,273	20,419	13,333	55,025	
1968	4,295	3,161	2,278	9,735	25,175	22,780	14,534	62,492	
1969	4,615	4,065	2,834	11,516	25,527	26,039	16,141	67,707	
1970	4,545	3,264	2,993	10,802	24,774	24,393	18,990	68,157	
1971	6,500	3,578	2,612	12,690	34,754	25,574	19,283	79,611	
1972	7,789	4,101	2,752	14,620	45,269	27,143	18,986	91,620	
1973	7,446	4,967	3,045	15,452	46,436	32,167	22,556	100,959	
1974	5,774	5,251	3,782	14,772	34,632	34,312	25,879	94,823	
1975	6,420	5,012	3,443	14,875	31,348	30,288	28,313	89,949	
1976	10,273	4,900	3,824	18,994	43,377	30,656	28,443	102,565	
1976	MAR	8,784	4,975	1,542	15,301	41,019	30,548	35,568	107,136
	APR	9,086	5,682	2,850	17,618	40,586	31,395	27,838	99,819
	MAY	8,852	5,180	13,607	27,639	39,172	31,408	26,995	97,575
	JUNE	9,139	4,700	2,536	16,375	41,305	30,408	32,786	104,499
	JULY	9,627	4,523	2,569	16,719	43,422	29,826	26,651	99,899
	AUG	11,006	4,503	3,559	19,068	43,482	28,247	19,562	91,292
	SEPT	10,562	4,503	2,319	17,778	45,274	32,488	17,608	95,371
	OCT	12,188	5,397	2,196	19,782	48,234	31,852	38,851	118,937
	NOV	13,380	5,534	3,525	22,440	53,722	32,802	24,558	111,083
	DEC	14,924	4,877	2,177	21,977	52,009	31,300	28,819	112,128
1977	JAN	13,191	6,015	2,706	21,912	49,278	31,666	28,548	109,493
	FEB	16,809	5,621	3,234	25,664	53,765	27,582	37,181	118,528
	MAR	14,672	7,495	3,410	25,577	58,413	35,921	23,397	117,731
	APR	12,283	5,868	2,485	20,637	53,223	33,023	40,942	127,188
	MAY	13,644	5,799	2,011	21,453	56,112	33,887	60,983	150,983
	JUNE	12,720	5,367	19,496	37,583	58,831	33,161	57,445	149,438
	JULY	14,256	5,012	2,510	21,778	58,051	29,336	27,704	115,090

CONSTRUCTION

1
RESIDENTIAL BUILDING ACTIVITY
NUMBER OF UNITS

----- PRIVATE HOUSING PERMITS ISSUED -----											---STARTS--- THOUSANDS		
	ALASKA	ARIZONA	CALIF	HAWAII	IDAHO	NEVADA	OREGON	UTAH	WASH	TWELFTH DISTRICT	WEST 2	U S 2	
1967	445	9,449	103,145	7,399	985	1,640	11,628	4,187	36,901	175,800	220	1,285	
1968	780	15,087	156,684	11,526	1,592	3,281	14,453	5,136	45,160	253,699	294	1,504	
1969	1,469	25,696	183,886	13,642	1,490	5,084	15,367	5,828	35,676	288,138	321	1,487	
1970	1,656	29,009	193,667	10,638	2,962	8,497	15,593	8,716	27,871	298,609	310	1,441	
1971	1,793	50,438	254,755	12,202	3,837	12,741	25,861	13,291	31,205	406,093	485	2,051	
1972	2,317	56,409	278,244	15,491	4,252	16,664	28,048	17,553	29,135	448,113	528	2,369	
1973	1,623	46,306	218,539	17,747	5,466	13,149	21,042	14,034	26,750	364,324	423	2,044	
1974	1,802	32,034	127,551	16,738	5,530	5,777	14,536	12,032	26,250	242,450	282	1,332	
1975	2,535	18,757	130,870	10,740	7,594	6,930	17,149	13,127	33,998	241,736	275	1,161	
1976	3,743	25,039	220,148	9,254	8,665	11,416	26,514	18,433	46,346	369,558	410	1,541	
1976	MAR	183	2,231	16,572	553	750	1,099	2,068	1,803	3,981	29,240	345	1,426
	APR	314	2,047	17,432	626	803	1,359	2,609	1,746	4,430	31,366	323	1,385
	MAY	316	1,666	16,704	896	640	815	2,147	1,929	4,069	29,182	368	1,435
	JUNE	383	2,047	20,156	781	872	759	2,188	1,858	5,041	34,085	368	1,494
	JULY	337	2,138	19,696	710	694	741	2,738	1,248	4,565	32,867	343	1,413
	AUG	402	2,912	20,263	741	776	675	2,371	1,579	4,064	33,783	401	1,530
	SEPT	422	2,260	17,624	2,094	793	1,301	2,771	1,662	4,220	33,147	459	1,768
	OCT	324	1,861	19,819	727	833	626	2,448	1,541	3,663	31,842	500	1,715
	NOV	359	1,818	22,449	557	867	1,545	2,273	1,696	3,674	35,238	503	1,706
	DEC	460	2,666	22,745	596	716	1,266	2,094	1,793	3,007	35,343	606	1,884
1977	JAN	254	1,820	17,613	600	480	879	2,001	1,116	3,727	28,490	576	1,384
	FEB	335	2,776	20,733	452	844	1,831	2,879	1,315	3,835	35,000	591	1,802
	MAR	446	3,830	27,378	744	1,173	1,442	3,462	1,986	5,199	45,660	568	2,089
	APR	569	4,039	22,222	2,224	1,077	1,623	3,242	2,110	4,922	42,028	468	1,880
	MAY	708	3,606	24,040	544	1,233	1,932	3,161	2,254	5,539	43,017	459	1,937
	JUNE	704	3,956	26,203	681	1,078	2,275	3,943	2,205	5,314	46,359	476	1,910
	JULY	520	3,551	21,915	533	1,159	1,879	3,194	1,559	5,484	39,794	548	2,064

CONSTRUCTION

FOR FOOTNOTES, SEE END OF SECTION

D- 3

RESIDENTIAL HOUSING ACTIVITY
THOUSANDS OF UNITS
NOT SEASONALLY ADJUSTED

	PRIVATE HOUSING STARTS		PRIVATE HOUSING COMPLETIONS		UNDER CONSTRUCTION ¹ (PRIVATE)		
	WEST	U S	WEST	U S	WEST	U S	
1967	222	1,290	NA	NA	NA	NA	
1968	295	1,509	246	1,319	NA	NA	
1969	324	1,467	281	1,400	180	885	
1970	310	1,433	317	1,420	176	922	
1971	485	2,054	405	1,706	244	1,254	
1972	528	2,359	460	1,971	307	1,586	
1973	428	2,045	453	2,015	283	1,599	
1974	286	1,339	359	1,692	201	1,189	
1975	276	1,161	286	1,298	189	1,005	
1976	400	1,537	336	1,364	254	1,157	
1976	MAR	30	118	23	100	199	997
	APR	32	137	25	94	205	1,037
	MAY	40	148	29	112	216	1,069
	JUNE	39	154	31	120	224	1,098
	JULY	34	137	28	115	230	1,118
	AUG	35	146	27	125	238	1,138
	SEPT	37	152	26	127	248	1,161
	OCT	40	148	35	131	255	1,176
	NOV	33	127	33	128	256	1,182
	DEC	33	107	35	132	254	1,157
1977	JAN	37	81	31	103	259	1,121
	FEB	40	113	32	109	266	1,122
	MAR	45	174	34	122	280	1,168
	APR	46	182	34	112	292	1,236
	MAY	49	201	34	121	308	1,314
	JUNE	52	199	41	144	318	1,365
	JULY	51	189	39	140	328	1,412

CONSTRUCTION

RESIDENTIAL HOUSING ACTIVITY
NOT SEASONALLY ADJUSTED

	2 HOMES SOLD				2 FOR SALE		1 VACANCY RATES			
	NUMBER (THOUSANDS)		MEDIAN PRICE (THOUSANDS OF DOLLARS)		END OF PERIOD (THOUSANDS)		HOMES FOR SALE		RENTAL UNITS	
	WEST	U S	WEST	U S	WEST	U S	WEST	U S	WEST	U S
1967	121	490	23.3	23.0	40	189	1.9	1.2	7.4	5.6
1968	121	492	24.8	25.6	45	219	1.2	1.1	6.1	4.9
1969	115	450	25.5	24.9	53	228	1.1	1.0	4.7	4.7
1970	122	486	23.6	22.6	51	227	1.1	1.1	5.4	5.2
1971	175	656	25.6	25.5	63	294	1.2	1.0	5.3	5.6
1972	187	718	28.8	29.2	95	416	1.3	1.0	6.1	5.6
1973	161	620	34.0	33.9	107	458	1.6	1.2	5.8	5.8
1974	138	501	37.2	37.2	89	407	1.7	1.3	5.7	6.0
1975	151	543	43.4	41.2	81	383	1.3	1.2	5.3	5.4
1976	196	639	50.0	45.5	100	436	1.0	1.2	5.1	5.3
1975 III	44	148	39.8	38.8	79	384	1.8	1.4	6.9	6.2
IV	35	127	43.4	41.2	81	383	1.3	1.2	5.3	5.4
1976 I	49	147	45.1	42.8	80	383	1.2	1.2	5.5	5.5
II	51	171	47.4	44.2	87	408	1.2	1.2	5.5	5.8
III	47	173	47.3	44.7	90	414	1.1	1.3	5.4	5.7
IV	49	148	50.0	45.5	100	436	1.0	1.2	5.1	5.3
1977 I	78	208	51.7	46.3	97	431	1.0	1.3	4.4	5.1
II	68	230	53.4	49.1	110	447	0.9	1.3	5.7	5.3

CONSTRUCTION

FOR FOOTNOTES, SEE END OF SECTION

CHARACTERISTICS OF CONVENTIONAL NEW HOME LOANS
NOT SEASONALLY ADJUSTED

	1 -----EFFECTIVE RATE----- PERCENT				-----TERM TO MATURITY----- YEARS				-----LOAN TO PRICE RATIO----- PERCENT				
	U S	LOS	SAN	SEATTLE	U S	LOS	SAN	SEATTLE	U S	LOS	SAN	SEATTLE	
		ANGELES	FRANCISCO			ANGELES	FRANCISCO			ANGELES	FRANCISCO		
1967	6.54	6.74	6.90	6.98	25.4	28.5	28.8	26.1	72.7	76.1	73.0	76.0	
1968	7.23	7.18	7.40	7.75	25.9	28.3	29.6	25.7	74.0	77.1	78.7	75.2	
1969	8.25	8.57	9.00	8.49	25.4	27.9	29.5	27.4	71.9	77.1	79.3	72.0	
1970	8.38	8.30	8.25	8.15	25.8	29.8	28.8	27.0	73.8	78.8	73.2	79.2	
1971	7.77	7.66	7.65	7.48	26.6	29.5	29.3	26.9	74.5	78.5	78.6	78.9	
1972	7.66	7.48	7.58	7.69	27.5	29.7	29.6	27.6	78.0	83.0	82.6	86.2	
1973	8.49	8.33	8.54	8.94	25.6	29.4	29.2	23.2	75.5	80.1	74.8	72.0	
1974	9.37	9.57	9.86	9.39	27.5	29.6	29.1	25.1	75.5	78.1	70.4	70.6	
1975	9.01	9.12	9.44	NA	27.8	29.7	29.8	NA	76.9	81.2	82.6	NA	
1976	9.10	9.25	9.22	9.40	27.8	29.6	30.0	28.5	74.8	79.6	77.3	80.3	
1976	MAR	8.93	8.93	8.87	9.32	27.1	29.7	30.0	29.3	76.4	79.4	78.5	73.7
	APR	8.92	8.84	8.98	9.18	27.3	29.6	29.9	28.6	75.3	76.9	78.1	77.4
	MAY	8.97	8.95	8.90	9.25	26.5	29.9	29.8	29.1	77.5	80.8	76.8	78.3
	JUNE	8.89	9.03	8.95	9.21	26.5	29.9	29.6	28.2	75.1	76.8	74.6	76.9
	JJLY	8.97	9.08	9.15	9.12	27.1	29.8	29.9	28.9	75.8	77.5	74.7	80.4
	AUG	9.02	9.28	9.27	9.14	27.8	29.7	30.0	28.3	75.8	79.6	74.3	82.9
	SEPT	9.08	9.43	9.34	9.53	27.7	29.8	30.0	27.6	75.6	76.8	75.6	83.7
	OCT	9.07	9.37	9.33	9.45	28.0	29.9	30.0	27.9	75.3	75.7	74.3	82.8
	NOV	9.05	9.38	9.29	9.40	27.0	29.8	30.0	28.8	75.6	76.1	75.6	79.6
	DEC	9.10	9.25	9.22	9.40	27.8	29.6	30.0	28.5	74.8	79.6	77.3	80.3
1977	JAN	9.05	9.21	9.18	9.29	28.2	29.4	30.0	29.0	76.3	78.0	76.2	76.6
	FEB	8.99	9.15	9.03	9.11	27.8	29.7	29.9	29.5	75.8	77.5	75.8	83.5
	MAR	8.95	9.05	8.99	9.08	28.1	30.0	29.8	29.4	77.5	78.3	77.9	81.2
	APR	8.94	9.02	8.96	9.09	27.3	29.8	29.9	28.9	75.5	78.1	74.8	78.7
	MAY	8.96	9.07	9.09	9.02	27.9	29.8	30.0	28.6	77.4	78.0	75.7	77.4
	JUNE	8.98	9.21	9.33	9.08	27.2	29.8	29.5	28.8	76.0	76.1	75.3	79.3
	JULY	9.00	9.36	9.33	9.17	27.9	29.9	30.0	29.2	76.2	77.6	75.1	79.9
	AJG	9.02	9.46	9.39	9.22	28.2	29.7	29.7	29.3	76.5	77.7	75.4	80.4

CONSTRUCTION

RENTS & HOMEOWNERSHIP COSTS
1967=100
NOT SEASONALLY ADJUSTED

	RESIDENTIAL RENT					HOMEOWNERSHIP COSTS				
	U S	LOS ANGELES	SAN FRANCISCO	SEATTLE	HONOLULU	U S	LOS ANGELES	SAN FRANCISCO	SEATTLE	HONOLULU
1967	100.0	100.0	100.0	100.0	100.0	100.0	100.0	100.0	100.0	100.0
1968	102.4	102.0	105.2	104.7	103.3	105.7	104.3	107.3	107.8	107.2
1969	105.7	105.9	111.3	108.4	109.3	116.0	113.8	119.4	119.8	114.6
1970	110.1	111.9	119.3	109.1	118.1	128.5	123.6	131.5	129.4	122.3
1971	115.2	116.3	125.4	106.9	124.0	133.7	128.6	131.6	128.7	125.8
1972	119.2	118.5	129.2	105.7	127.7	140.1	133.7	138.5	133.9	130.9
1973	124.3	121.7	133.2	108.5	133.1	146.7	139.0	145.6	144.0	136.5
1974	130.6	128.0	138.7	118.1	142.9	163.2	152.3	160.6	161.7	142.2
1975	137.3	134.8	144.8	130.8	150.4	181.7	178.6	183.1	181.5	147.3
1976	144.7	144.3	153.7	141.1	156.8	191.7	195.7	196.1	191.4	154.9
1976 MAR	142.7	141.2	150.4	NA	154.8	188.7	188.9	193.2	NA	152.8
APR	143.2	NA	NA	NA	NA	188.9	187.8	NA	NA	NA
MAY	143.8	143.0	NA	139.5	NA	189.6	193.4	NA	184.9	NA
JUNE	144.4	NA	152.7	NA	157.0	190.7	192.5	193.5	NA	153.5
JULY	145.0	144.7	NA	NA	NA	192.2	195.5	NA	NA	NA
AUG	145.6	NA	NA	142.3	NA	193.4	197.2	NA	194.3	NA
SEPT	146.2	146.4	155.4	NA	158.2	194.4	200.1	198.3	NA	157.4
OCT	146.9	NA	NA	NA	NA	194.8	202.3	NA	NA	NA
NOV	147.5	148.2	NA	145.6	NA	194.8	201.5	NA	195.9	NA
DEC	148.3	NA	160.3	NA	159.3	195.0	202.4	203.2	NA	156.1
1977 JAN	149.5	150.5	NA	NA	NA	196.7	208.5	NA	NA	NA
FEB	150.2	NA	NA	148.9	NA	198.1	209.1	NA	197.3	NA
MAR	150.8	152.7	164.1	NA	161.0	199.3	209.1	205.7	NA	156.4
APR	151.6	NA	NA	NA	NA	201.0	210.7	NA	NA	NA
MAY	152.2	155.1	NA	151.5	NA	202.3	210.7	NA	211.3	NA
JUNE	152.9	NA	163.8	NA	163.6	203.9	210.7	210.8	NA	157.3
JULY	153.6	157.7	NA	NA	NA	206.2	212.3	NA	NA	NA
AUG	154.4	NA	NA	154.6	NA	207.4	211.4	NA	218.4	NA

CONSTRUCTION

FOR FOOTNOTES, SEE END OF SECTION

PAGE D - 2 :

- 1/ NOT INCLUDING ALASKA AND HAWAII.
 - 2/ INCLUDES COMMERCIAL, MANUFACTURING, EDUCATIONAL AND SCIENCE BUILDINGS, HOSPITAL AND OTHER HEALTH FACILITIES, PUBLIC BUILDINGS, RELIGIOUS BUILDINGS, AND RECREATIONAL FACILITIES.
 - 3/ INCLUDES AWARDS FOR THE CONSTRUCTION OF SUCH FACILITIES AS STREETS AND HIGHWAYS, BRIDGES, DAMS AND RESERVOIRS, WATER SUPPLY, ELECTRIC POWER AND HEATING FACILITIES. COMMUNICATIONS AND WASTE DISPOSAL SYSTEMS, AND RIVER AND HARBOR PROJECTS.
- SOURCE: F W DODGE CO; DATA ARE SEASONALLY ADJUSTED BY FEDERAL RESERVE BANK OF SAN FRANCISCO.

PAGE D- 3 :

- 1/ DATA BEGINNING JANUARY 1973 ARE NOT DIRECTLY COMPARABLE WITH DATA FOR PREVIOUS YEARS DUE TO CHANGES IN AREA COVERAGE. ANNUAL TOTALS REFLECT REVISIONS NOT DISTRIBUTED TO MONTHS.
 - 2/ THE WEST INCLUDES MONTANA, WYOMING, COLORADO, AND NEW MEXICO IN ADDITION TO TWELFTH FEDERAL RESERVE DISTRICT STATES. THESE DATA ARE SEASONALLY ADJUSTED AT ANNUAL RATES. ANNUAL FIGURES ARE AN AVERAGE OF MONTHLY SEASONALLY ADJUSTED ANNUAL RATE ESTIMATIONS. FOR ACTUAL ANNUAL FIGURES SEE PAGE D-5.
- SOURCE: U.S. BUREAU OF THE CENSUS.

PAGE D- 4 :

- 1/ DATA ARE AS OF END OF PERIOD.
- SOURCE: U.S. DEPARTMENT OF COMMERCE, C20, C22.

PAGE D- 5 :

- 1/ ANNUAL DATA ARE AS OF FOURTH QUARTER.
 - 2/ NEW, SINGLE FAMILY UNITS ONLY.
- SOURCE: U.S. BUREAU OF THE CENSUS

PAGE D- 6 :

- 1/ THE EFFECTIVE RATE REPRESENTS THE CONTRACT INTEREST RATE PLUS FEES AND CHARGES AMORTIZED OVER A 10-YEAR PERIOD. THE AVERAGE RATE FOR EACH SMSA AS WELL AS THE NATIONAL AVERAGE IS BASED UPON INFORMATION SUPPLIED BY EACH TYPE OF LENDER PARTICIPATING IN A MONTHLY SURVEY: SAVINGS AND LOAN ASSOCIATIONS, COMMERCIAL BANKS, INSURANCE COMPANIES, MORTGAGE COMPANIES.
 - 2/ JANUARY 1973 BEGINS A NEW SERIES. THE NEW SERIES RESULTS FROM CHANGES IN: (A) THE SAMPLE OF LENDERS PROVIDING THE INFORMATION FROM WHICH THE AVERAGES ARE COMPILED, (B) THE STATISTICAL PROCEDURES USED IN COMPUTING THE AVERAGES, (C) THE TIMING OF THE MEASUREMENT, AND (D) DEFINITIONS. CONSEQUENTLY, THE "NEW" AND "OLD" SERIES ARE NOT COMPLETELY COMPARABLE. THE FOLLOWING DATA ARE THE "OLD" SERIES FOR JANUARY AND FEBRUARY 1972 RESPECTIVELY. EFFECTIVE RATE: US-7.67, 7.68; LA-7.56, 7.58; SF-7.63, 7.64; SEA-7.81, 7.55; TERM TO MATURITY: US-27.5, 27.9; LA-29.3, 29.9; SF-29.9, 30.0; SEA-29.0, 29.3; LOAN TO PRICE RATIO: US-78.5, 78.9; LA-84.8, 83.3; SF-82.1, 85.9; SEA-87.8, 82.3.
- SOURCE: FEDERAL HOME LOAN BANK BOARD.

D - 8 PAGE D- 7 : SOURCE: U.S. BUREAU OF LABOR STATISTICS.

commercial banking



TWELFTH FEDERAL RESERVE DISTRICT
BORROWINGS AND RESERVE POSITION OF MEMBER BANKS
MILLIONS OF DOLLARS - NOT SEASONALLY ADJUSTED
AVERAGES OF DAILY FIGURES

	TOTAL DEPOSITS	TOTAL RESERVES HELD	TOTAL REQUIRED RESERVES	EXCESS RESERVES	---BORROWINGS AT F.R. BANK---		NET RESERVE POSITION (FREE RESERVES)	20	
					TOTAL	SEASONAL			
1971	56,590	4,822	4,802	20	27	NA	-6		
1972	63,156	5,275	5,256	19	18	NA	1		
1973	71,155	5,671	5,637	34	155	1	-120		
1974	78,433	6,285	6,335	50	206	1	-156		
1975	85,403	6,174	6,127	47	21	1	26		
1976	88,669	6,048	6,009	39	5	1	34		
1974	III	79,671	6,432	6,478	46	275	2	-228	
	IV	81,005	6,366	6,424	58	158	1	-99	
1975	I	83,481	6,292	6,246	46	28	1	18	
	II	84,745	6,076	6,034	42	4	0	39	
	III	85,781	6,112	6,073	39	39	1	0	
	IV	87,448	6,213	6,153	60	15	1	45	
1976	I	87,507	6,015	5,965	50	4	0	46	
	II	87,535	5,962	5,910	51	6	0	45	
	III	88,588	6,029	6,005	24	3	0	21	
	IV	91,048	6,186	6,154	32	5	0	27	
1977	I	92,780	6,237	6,202	35	6	1	29	
	II	95,192	6,318	6,309	10	8	0	2	
1976	MAR	86,550	5,846	5,800	46	1	0	45	
	APR	87,893	5,983	5,952	32	6	0	26	
	MAY	86,664	5,985	5,922	63	5	0	58	
	JUNE	87,944	5,925	5,868	58	8	0	49	
	JULY	89,234	6,055	6,024	31	3	0	28	
	AUG	88,054	6,067	6,037	30	6	0	25	
	SEPT	88,499	5,977	5,964	13	1	0	12	
	OCT	90,284	6,106	6,093	13	14	0	0	
	NOV	89,890	6,155	6,138	17	0	0	17	
	DEC	92,586	6,274	6,216	58	2	0	56	
1977	JAN	94,370	6,459	6,418	40	3	0	37	
	FEB	91,533	6,157	6,132	25	2	1	23	
	MAR	92,508	6,123	6,084	39	11	1	28	
	APR	95,551	6,344	6,329	15	3	0	12	
	MAY	93,910	6,339	6,321	18	8	0	10	
	JUNE	95,931	6,283	6,284	-1	11	1	-12	
	JULY	97,358	6,495	6,465	30	4	0	26	
	AUG	97,423	6,549	6,498	50	116	0	-65	

BANKING

FEDERAL FUNDS AND RELATED TRANSACTIONS OF SEVEN TWELFTH DISTRICT BANKS
MILLIONS OF DOLLARS - AVERAGES OF DAILY FIGURES

		INTERBANK	ONE DAY	FEDERAL FUNDS	TRANSACTIONS	RELATED TRANSACTIONS WITH U. S. GOV*†			
		GROSS	GROSS	NET PURCHASES	NET SALES OF	NET PURCHASES	SECURITIES DEALERS		
		PURCHASES	SALES	OF BUYING BANKS	SELLING BANKS	OR SALES (-)	LOANS TO DEALERS	BORROWINGS FROM DEALERS	NET DEALER POSITION
1971		1,635.5	1,095.3	783.7	243.5	540.2	448.9	160.2	288.7
1972		1,609.4	2,006.4	684.5	1,081.5	-396.6	276.6	213.0	63.6
1973		2,229.7	1,884.1	1,373.6	1,028.0	345.6	296.1	154.4	141.7
1974		2,818.7	1,481.3	1,967.5	630.1	1,337.4	617.6	162.9	454.7
1975		3,008.4	1,439.8	2,099.3	530.7	1,568.6	779.8	64.8	715.0
1976		2,817.6	2,337.1	1,895.4	1,414.9	480.5	479.2	138.8	340.3
1974	III	2,477.1	1,314.3	1,646.5	483.7	1,162.8	725.4	189.8	535.6
	IV	3,030.5	1,908.7	2,111.8	990.0	1,121.8	959.8	109.0	850.8
1975	I	3,237.2	1,603.5	2,227.2	593.6	1,633.7	970.9	84.1	886.8
	II	3,197.5	1,392.0	2,333.9	528.4	1,805.5	893.9	129.1	764.8
	III	2,681.6	1,284.7	1,882.3	485.6	1,396.7	564.4	23.7	540.7
	IV	2,924.4	1,482.0	1,994.7	552.3	1,442.4	695.3	23.4	671.9
1976	I	2,852.1	1,516.0	1,828.5	492.3	1,336.2	348.4	46.4	302.0
	II	2,886.6	2,520.8	1,926.8	1,560.9	365.9	464.5	89.6	374.8
	III	2,645.1	2,618.0	1,716.7	1,689.6	-187.9	439.0	113.5	325.5
	IV	2,903.2	2,501.1	1,985.3	1,583.2	402.1	663.1	305.8	357.2
1977	I	2,871.1	2,479.7	1,804.0	1,412.5	391.5	417.3	159.0	258.4
	II	2,909.4	2,953.3	1,896.8	1,940.8	-43.9	467.2	197.4	269.9
1976	MAR	2,903.6	1,647.6	1,868.5	612.5	1,256.0	326.6	68.8	257.8
	APR	3,000.3	2,103.0	2,026.7	1,129.4	897.2	656.2	60.5	595.6
	MAY	2,948.0	3,069.7	2,076.5	2,198.2	-121.5	281.3	125.5	155.8
	JUNE	2,709.6	2,371.4	1,713.5	1,375.2	338.3	462.1	81.7	380.4
	JULY	2,614.0	2,544.9	1,707.8	1,638.7	69.1	372.9	100.3	272.6
	AUG	2,639.5	2,827.7	1,739.5	1,927.7	-188.1	340.6	135.8	204.9
	SEPT	2,641.8	3,095.2	1,798.7	2,252.2	-453.4	609.0	104.2	504.7
	OCT	2,645.1	2,618.0	1,716.7	1,689.6	27.1	708.7	192.6	516.1
	NOV	2,784.2	2,289.9	1,911.4	1,417.1	494.3	517.7	239.2	278.5
	DEC	3,228.8	2,541.1	2,281.5	1,593.8	687.7	722.5	470.5	435.7
1977	JAN	2,884.0	2,209.7	1,708.4	1,034.2	674.2	605.7	200.9	404.8
	FEB	2,797.8	2,189.1	1,834.0	1,225.3	608.7	293.8	115.6	178.2
	MAR	2,924.6	3,012.1	1,959.3	2,046.8	-87.4	340.5	156.2	184.3
	APR	3,260.5	3,135.9	2,242.4	2,117.8	124.6	532.9	93.1	439.7
	MAY	2,666.3	2,822.8	1,762.5	1,919.0	-156.4	342.4	230.4	112.0
	JUNE	2,809.4	2,905.7	1,816.2	1,912.6	-96.2	530.6	267.5	263.1
	JULY	3,151.7	2,720.5	2,232.1	1,800.9	431.3	397.0	198.3	198.7
	AUG	2,707.6	2,298.0	1,893.5	1,483.9	409.6	661.6	179.6	482.1

FOR FOOTNOTES, SEE END OF SECTION

TWELFTH DISTRICT ¹
 LOANS, INVESTMENTS AND DEPOSITS - ALL COMMERCIAL BANKS
 MILLIONS OF DOLLARS
 SEASONALLY ADJUSTED

LAST WED	²		³		⁴			⁵		
	LOANS AND INVESTMENTS	LOANS	LOANS LESS SEC LOANS	BUSINESS LOANS	REAL ESTATE LOANS	U S TREAS SECURITIES	OTHER SECURITIES	DEMAND DEP ADJUSTED	TIME & SAV DEPOSITS	
1967	51,221	35,905	35,279	13,123	11,207	6,658	8,658	17,735	31,817	
1968	57,421	40,650	39,721	15,057	12,324	6,944	9,827	19,712	35,507	
1969	7/ 57,788	43,117	42,311	15,989	12,972	5,368	9,303	20,456	32,659	
1970	63,528	45,171	43,882	16,853	13,127	6,789	11,568	21,036	39,401	
1971	8/ 71,980	50,035	48,864	18,079	14,917	7,733	14,212	23,081	46,130	
1972	81,150	58,706	57,179	20,143	17,817	7,925	14,519	26,026	51,788	
1973	92,694	70,182	68,788	24,644	21,572	6,483	16,029	27,897	58,801	
1974	100,810	78,110	76,182	28,441	23,688	6,213	16,487	28,435	68,787	
1975	105,341	77,523	75,797	27,648	23,491	11,265	16,553	30,481	74,758	
1976	114,288	85,058	82,334	27,791	26,088	12,154	17,076	33,875	79,409	
1976	MAR	105,930	78,267	76,697	26,462	24,032	11,106	16,557	32,026	73,646
	APR	104,920	77,608	76,191	26,033	24,144	10,904	16,408	31,016	72,589
	MAY	105,351	78,289	77,071	26,332	24,287	11,024	16,038	31,716	72,769
	JUNE	108,222	80,546	78,111	26,467	24,463	11,445	16,231	32,534	75,394
	JULY	107,557	79,603	77,856	25,997	24,664	11,568	16,387	32,516	74,372
	AUG	109,227	80,096	78,530	26,191	24,842	12,479	16,652	32,328	73,806
	SEPT	110,848	82,099	80,255	27,034	25,118	11,670	17,079	32,929	75,314
	OCT	112,033	83,658	81,506	27,552	25,359	11,551	16,823	32,918	76,294
	NOV	112,162	84,180	81,983	27,916	25,683	10,602	17,380	32,637	76,940
	DEC	114,288	85,058	82,334	27,791	26,088	12,154	17,076	33,875	79,409
1977	JAN	113,374	85,062	83,037	27,817	26,513	11,162	17,150	33,871	78,096
	FEB	114,155	86,355	84,018	28,157	26,909	10,429	17,371	33,939	78,362
	MAR	116,338	87,924	85,540	28,513	27,431	11,137	17,278	35,018	79,604
	APR	116,577	88,438	86,101	28,442	28,157	10,414	17,726	36,407	78,552
	MAY	117,707	90,076	87,122	28,790	28,555	9,891	17,740	35,787	79,328
	JUNE	120,261	90,969	88,164	28,944	29,197	11,175	18,117	35,325	81,405
	JULY	121,664	92,384	89,744	29,038	29,856	10,851	18,429	36,253	81,981
	AUG	124,130	94,021	91,581	29,381	30,484	11,316	18,793	36,964	82,442

BANKING

CALIFORNIA
LOANS, INVESTMENTS AND DEPOSITS - ALL COMMERCIAL BANKS¹
MILLIONS OF DOLLARS
SEASONALLY ADJUSTED

LAST WED	² LOANS AND INVESTMENTS		³ LOANS LESS SEC LOANS		BUSINESS LOANS	REAL ESTATE LOANS	⁴ U S TREAS SEC		OTHER SEC	TOTAL DEM DEP	⁵ DEM DEP ADJUSTED	TIME & SAV DEPOSITS
	LOANS	INVESTMENTS	LOANS	SEC LOANS			SEC	SEC				
1967	37,255	26,496	25,919		9,846	8,477	4,359	6,400	16,077	12,423	23,691	
1968	41,818	29,895	29,096		11,316	9,221	4,675	7,248	17,466	13,538	26,313	
1969	7/ 41,401	31,141	30,593		11,931	9,535	3,620	6,640	18,389	14,155	23,396	
1970	45,538	32,571	31,422		12,600	9,592	4,856	8,111	19,090	14,581	28,465	
1971	8/ 51,354	35,701	35,008		13,296	10,871	5,658	9,995	20,722	15,834	33,497	
1972	57,514	41,824	40,969		14,719	12,784	5,804	9,886	24,545	17,679	37,238	
1973	66,389	50,623	49,812		18,426	15,591	4,790	10,976	25,626	19,182	42,534	
1974	72,058	56,239	55,018		20,875	17,029	4,783	11,036	25,494	19,285	50,962	
1975	74,028	54,647	53,523		19,903	16,657	8,541	10,840	27,468	20,417	54,635	
1976	79,692	59,856	57,422		19,244	18,360	8,702	11,134	28,761	22,872	56,776	
1976	MAR	73,883	55,220	54,091	18,884	17,061	7,878	10,785	29,707	21,489	52,721	
	APR	72,356	54,141	53,508	18,433	17,046	7,677	10,539	27,380	20,636	51,459	
	MAY	72,764	55,051	54,079	18,684	17,174	7,598	10,115	27,546	21,362	51,535	
	JUNE	75,611	56,874	54,835	18,893	17,233	8,407	10,329	28,360	21,785	54,063	
	JULY	74,333	55,425	54,082	18,231	17,365	8,473	10,434	28,756	21,832	52,676	
	AUG	75,692	55,891	54,677	18,386	17,515	9,147	10,654	28,809	21,653	51,985	
	SEPT	76,652	57,060	55,810	18,848	17,679	8,573	11,020	29,027	21,907	52,981	
	OCT	77,432	58,230	56,658	19,603	17,801	8,313	10,889	29,504	22,086	53,870	
	NOV	77,641	58,864	57,249	19,674	18,073	7,384	11,393	28,889	21,979	54,447	
	DEC	79,692	59,856	57,422	19,244	18,360	8,702	11,134	28,761	22,872	56,776	
1977	JAN	78,052	59,311	57,731	19,376	18,691	7,490	11,251	29,766	22,618	54,919	
	FEB	78,573	59,840	58,220	19,396	19,037	7,379	11,354	30,612	22,738	55,250	
	MAR	80,118	61,009	59,360	19,662	19,374	7,894	11,216	31,322	23,413	56,152	
	APR	79,820	60,811	59,499	19,540	19,827	7,360	11,648	31,643	24,627	54,935	
	MAY	81,232	62,709	60,384	19,877	20,283	6,931	11,592	30,742	24,116	55,578	
	JUNE	83,358	63,173	60,904	19,739	20,841	8,223	11,961	29,517	23,693	57,331	
	JULY	84,050	63,858	61,764	19,779	21,277	7,938	12,254	32,066	24,275	57,412	
	AUG	85,761	64,923	63,011	19,916	21,767	8,306	12,532	33,830	24,831	57,827	

FOR FOOTNOTES, SEE END OF SECTION

9
 TWELFTH DISTRICT
 MEMBER BANK DEPOSITS
 MILLIONS OF DOLLARS
 SEASONALLY ADJUSTED - AVERAGES OF DAILY FIGURES

	TOTAL	TIME AND SAVINGS	NET DEMAND ⁴	PRIVATE DEMAND	U S GOVT DEMAND ⁴
1967	45,174.1	28,366.0	16,808.1	16,036.8	771.3
1968	49,358.7	31,628.0	17,730.7	17,447.6	283.1
1969 10/	47,020.5	28,589.8	18,430.7	17,605.2	825.5
1970	52,742.3	33,848.1	18,894.2	18,016.1	878.1
1971	59,580.1	39,109.9	20,470.2	19,661.5	808.7
1972	66,253.0	43,622.9	22,630.1	21,655.9	974.2
1973	73,242.0	49,843.8	23,398.2	22,634.4	763.8
1974	81,552.5	57,574.5	23,978.0	23,365.7	612.2
1975 10/	88,132.4	62,671.9	25,460.5	24,852.9	607.7
1976	92,125.1	64,447.7	27,677.4	27,064.1	613.3
1976 MAR	87,248.4	61,700.9	25,547.5	25,099.2	448.3
APR	87,543.0	61,478.2	26,064.8	25,298.8	766.0
MAY	86,751.1	60,925.8	25,825.4	25,680.6	144.8
JUNE	88,743.1	62,165.9	26,577.1	25,709.2	868.0
JULY	89,503.0	62,888.9	26,614.1	26,323.4	290.7
AUG	88,230.8	61,745.0	26,485.8	26,027.1	458.7
SEPT	88,498.7	62,041.1	26,457.5	26,025.8	431.7
OCT	89,745.1	62,761.3	26,983.8	26,681.1	302.7
NOV	89,979.7	63,026.2	26,953.5	26,364.9	588.6
DEC	92,125.1	64,447.7	27,677.4	27,064.1	613.3
1977 JAN	93,157.5	65,553.5	27,604.0	27,458.8	145.2
FEB	91,992.4	64,509.8	27,482.6	27,484.7	73.0
MAR	93,253.8	65,256.1	27,997.7	27,580.0	417.8
APR	95,170.4	65,962.9	29,207.6	28,416.5	791.1
MAY	94,206.1	65,470.2	28,735.9	28,690.2	45.7
JUNE	96,801.8	67,239.7	29,562.1	28,760.6	801.5
JULY	97,651.4	67,809.7	29,841.7	29,556.4	285.4
AUG	97,618.0	68,131.7	29,486.3	29,068.1	418.2

BANKING

TWELFTH DISTRICT
 LOANS, INVESTMENTS AND DEPOSITS - LARGE COMMERCIAL BANKS
 MILLIONS OF DOLLARS
 NOT SEASONALLY ADJUSTED

LAST WED	2		LOANS					
	LOANS ADJUSTED AND INVESTMENTS	LOANS ADJUSTED	FED FUNDS SOLD	TOTAL OTHER LOANS	COMMERCIAL & INDUSTRIAL	REAL ESTATE	CONSUMER INSTALMENT	NON-BANK FINANCIAL
1975 DEC	89,652	66,293	4,324	65,773	23,634	19,480	10,562	3,825
1976 JAN	87,543	64,660	3,334	64,401	23,321	19,587	10,616	3,699
FEB	86,475	64,249	2,972	64,336	22,964	19,515	10,703	3,799
MAR	87,284	64,969	3,765	64,707	22,036	19,782	10,819	4,037
APR	87,073	65,231	4,610	65,116	22,072	19,819	10,962	3,955
MAY	86,944	65,790	3,213	65,776	22,125	19,982	11,014	3,757
JUNE	89,616	67,913	5,604	67,058	22,365	20,250	11,149	3,989
JULY	88,027	66,429	3,025	66,093	21,553	20,374	11,290	3,751
AUG	88,651	66,621	4,745	66,138	21,435	20,510	11,414	3,691
SEPT	89,870	68,093	5,334	67,664	22,149	20,771	11,699	3,766
OCT	90,113	68,671	4,139	68,230	22,276	20,938	11,819	3,820
NOV	90,818	68,969	4,153	68,497	22,549	21,130	11,868	3,702
DEC	94,797	70,661	6,355	69,951	22,970	21,401	12,153	3,962
1977 JAN	92,035	69,704	3,460	69,471	22,702	21,771	12,241	3,834
FEB	92,091	70,356	4,003	69,958	22,996	21,973	12,333	3,776
MAR	94,472	71,645	4,322	71,103	23,425	22,263	12,481	3,842
APR	95,303	72,940	4,022	72,655	23,722	22,822	12,640	3,857
MAY	95,958	74,321	5,196	73,250	23,690	23,296	12,776	3,805
JUNE	98,620	75,506	6,179	74,974	23,764	24,047	12,982	3,881
JULY	98,742	76,144	5,183	75,484	23,658	24,626	13,208	3,753
AUG	99,910	77,337	5,533	76,606	23,685	25,212	13,633	3,635

FOR FOOTNOTES, SEE END OF SECTION

TWELFTH DISTRICT
LOANS, INVESTMENTS AND DEPOSITS - LARGE COMMERCIAL BANKS
MILLIONS OF DOLLARS
NOT SEASONALLY ADJUSTED

LAST WED		INVESTMENTS			
		TOTAL INVESTMENTS	U S TREASURY SECURITIES	OBLIG STATE & POLITICAL SUBDIVISIONS	OTHER SECURITIES
1975	DEC	23,359	10,757	8,580	4,022
1976	JAN	22,883	10,341	8,491	4,051
	FEB	22,226	9,572	8,463	4,191
	MAR	22,315	9,742	8,435	4,138
	APR	21,842	9,430	8,403	4,009
	MAY	21,154	9,181	8,220	3,753
	JUNE	21,703	9,661	8,287	3,755
	JULY	21,598	9,399	8,424	3,775
	AUG	22,030	9,633	8,652	3,745
	SEPT	21,677	9,141	8,905	3,631
	OCT	21,342	8,879	9,031	3,432
	NOV	21,849	8,752	9,349	3,748
	DEC	24,136	11,177	9,367	3,592
1977	JAN	22,331	9,386	9,549	3,396
	FEB	21,735	8,743	9,657	3,335
	MAR	22,827	9,954	9,727	3,146
	APR	22,363	9,055	10,195	3,113
	MAY	21,637	8,388	10,189	3,060
	JUNE	23,114	9,656	10,163	3,295
	JULY	22,598	8,747	10,692	3,159
	AUG	22,573	8,418	11,106	3,049

TWELFTH DISTRICT
LOANS, INVESTMENTS AND DEPOSITS - LARGE COMMERCIAL BANKS
MILLIONS OF DOLLARS
NOT SEASONALLY ADJUSTED

LAST WED	TOTAL DEPOSITS	DEMAND			TIME & SAVINGS				MEMORANDA
		TOTAL	DEMAND ADJUSTED	DEP U S GOV'T	TOTAL	SAVINGS	TIME IPC	STATE & LOCAL	LARGE NEG CD'S
1975 DEC	99,381	35,987	25,156	334	63,394	22,197	29,831	7,597	16,032
1976 JAN	93,404	30,858	23,691	518	62,546	23,657	28,408	7,477	13,857
FEB	91,679	30,504	23,233	317	61,175	24,608	27,298	6,761	12,097
MAR	95,407	33,402	24,646	231	62,005	25,591	27,682	6,201	12,778
APR	93,164	31,858	23,363	613	61,306	25,849	26,281	6,887	11,335
MAY	92,803	31,412	23,616	458	61,391	26,030	26,604	6,628	11,402
JUNE	98,025	34,929	25,075	541	63,096	26,162	28,233	6,166	13,066
JULY	94,511	32,706	24,970	366	61,805	26,470	26,944	6,019	11,534
AUG	93,460	32,174	24,655	338	61,286	26,821	26,560	5,604	10,849
SEPT	95,633	33,255	24,985	552	62,378	27,525	27,097	5,293	11,275
OCT	96,780	34,603	25,847	383	62,177	28,375	26,589	4,978	10,490
NOV	96,605	34,567	25,354	290	62,038	29,131	26,160	4,741	9,926
DEC	102,084	36,003	27,032	334	66,081	30,820	26,809	5,895	11,201
1977 JAN	98,020	33,552	25,655	389	64,468	30,870	25,620	5,929	9,432
FEB	98,648	34,680	25,259	314	63,968	31,070	25,193	5,761	8,692
MAR	101,140	35,234	26,812	188	65,906	32,231	26,321	5,273	9,620
APR	102,380	36,948	27,731	839	65,432	31,959	25,788	5,646	9,158
MAY	101,281	35,164	26,613	328	66,117	31,846	26,616	5,887	9,669
JUNE	103,292	36,072	27,073	223	67,220	31,803	27,735	5,469	10,799
JULY	104,018	36,639	27,781	350	67,379	31,992	27,779	5,632	10,337
AUG	105,895	37,923	28,231	213	67,972	31,704	28,959	5,301	11,290

14
 TWELFTH DISTRICT
 LOANS, INVESTMENTS AND DEPOSITS - MEMBER BANKS
 MILLIONS OF DOLLARS
 NOT SEASONALLY ADJUSTED

LAST WED	TOTAL LOANS	U S TREASURY SECURITIES	OTHER SECURITIES	TOTAL DEPOSITS	DEMAND	TIME AND SAVINGS
1967	32,794	6,116	7,541	49,826	21,441	28,385
1968	37,015	6,426	8,490	55,935	24,179	31,756
1969 10/	39,416	4,936	7,828	53,724	25,040	28,684
1970	41,774	6,577	9,636	59,172	24,730	34,442
1971 8/	46,280	7,665	11,650	66,744	26,591	40,153
1972	53,883	7,484	11,673	74,531	30,134	44,397
1973	64,479	6,500	12,887	82,191	31,683	50,508
1974	71,972	6,351	13,226	93,905	34,081	59,824
1975	70,364	10,990	13,169	100,553	36,728	63,825
1976	76,660	11,515	13,329	103,212	36,719	66,493
1976 MAR	68,322	9,982	12,976	96,000	33,837	62,163
APR	69,642	9,672	12,759	93,768	32,373	61,395
MAY	69,173	9,423	12,372	93,643	32,030	61,613
JUNE	72,712	9,901	12,399	98,787	35,471	63,316
JULY	69,329	9,659	12,612	95,477	33,407	62,070
AUG	71,184	9,916	12,810	94,535	32,890	61,645
SEPT	73,391	9,416	13,027	96,897	34,067	62,830
OCT	72,732	9,176	12,959	98,147	35,471	62,676
NOV	73,104	9,046	13,446	97,963	35,366	62,597
DEC	76,660	11,515	13,329	103,212	36,719	66,493
1977 JAN	73,164	9,762	13,276	98,905	34,193	64,757
FEB	74,222	9,121	13,320	99,605	35,340	64,265
MAR	75,801	10,356	13,245	102,253	35,935	66,318
APR	77,026	9,467	13,644	103,521	37,775	65,746
MAY	78,775	8,767	13,586	102,323	35,901	66,422
JUNE	81,652	10,031	13,774	104,452	36,854	67,571
JULY	81,191	9,165	14,161	105,397	37,570	67,827
AUG	82,656	8,824	14,450	107,245	38,864	68,381

BANKING

ALASKA
LOANS, INVESTMENTS AND DEPOSITS - MEMBER BANKS
MILLIONS OF DOLLARS
NOT SEASONALLY ADJUSTED

LAST WED	TOTAL LOANS	TOTAL INVESTMENTS	TOTAL DEPOSITS	DEMAND	TIME AND SAVINGS
1967	158	103	291	148	143
1968	162	134	302	151	151
1969	191	145	377	184	193
1970	213	175	436	195	241
1971 8/	266	188	498	223	275
1972	313	227	572	249	323
1973	375	216	601	281	320
1974	472	226	761	398	363
1975	578	314	969	524	445
1976	651	314	1,029	535	484
1976 MAR	558	261	931	510	421
APR	591	265	910	491	419
MAY	624	295	933	500	433
JUNE	645	299	986	566	420
JULY	643	293	983	544	439
AUG	681	289	1,004	559	445
SEPT	658	332	1,032	572	460
OCT	639	322	1,040	571	469
NOV	711	311	1,072	574	498
DEC	651	314	1,029	535	484
1977 JAN	670	315	966	497	469
FEB	687	304	1,007	518	489
MAR	698	305	998	506	492
APR	729	299	1,046	578	468
MAY	714	278	1,005	523	472
JUNE	772	272	1,038	566	472
JULY	770	279	1,063	561	502
AUG	826	274	1,116	602	514

ARIZONA
LOANS, INVESTMENTS AND DEPOSITS - MEMBER BANKS
MILLIONS OF DOLLARS
NOT SEASONALLY ADJUSTED

LAST WED	TOTAL LOANS	TOTAL INVESTMENTS	TOTAL DEPOSITS	DEMAND	TIME AND SAVINGS
1967	1,265	459	1,780	756	1,024
1968	1,533	483	1,981	914	1,067
1969	1,736	412	2,285	1,021	1,264
1970	1,849	584	2,483	1,007	1,476
1971	2,189	884	2,963	1,825	1,138
1972	2,700	856	3,511	1,320	2,191
1973	3,131	772	3,788	1,375	2,413
1974	3,177	870	3,859	1,432	2,427
1975	3,501	1,135	4,506	1,615	2,891
1976	3,582	1,173	4,772	1,642	3,130
1976 MAR	3,262	1,126	4,529	1,571	2,958
APR	3,216	1,165	4,441	1,519	2,922
MAY	3,374	1,125	4,474	1,499	2,975
JUNE	3,475	1,125	4,598	1,644	2,952
JULY	3,319	1,069	4,485	1,528	2,957
AUG	3,302	1,097	4,488	1,479	3,009
SEPT	3,375	1,075	4,541	1,489	3,052
OCT	3,440	1,080	4,555	1,502	3,053
NOV	3,456	1,104	4,609	1,528	3,081
DEC	3,582	1,173	4,772	1,642	3,130
1977 JAN	3,582	1,212	4,695	1,609	3,086
FEB	3,584	1,218	4,766	1,702	3,064
MAR	3,547	1,205	4,787	1,679	3,108
APR	3,905	1,175	4,871	1,813	3,058
MAY	3,803	1,141	4,850	1,690	3,160
JUNE	3,949	1,125	4,915	1,737	3,178
JULY	3,883	1,109	4,843	1,694	3,149
AUG	3,911	1,099	4,906	1,745	3,161

CALIFORNIA
LOANS, INVESTMENTS AND DEPOSITS — MEMBER BANKS
MILLIONS OF DOLLARS
NOT SEASONALLY ADJUSTED

LAST WED	TOTAL LOANS	TOTAL INVESTMENTS	TOTAL DEPOSITS	DEMAND	TIME AND SAVINGS
1967	24,963	9,931	37,350	15,574	21,776
1968	24,048	10,982	41,931	17,636	24,295
1969	29,910	9,464	40,077	18,576	21,501
1970	31,422	12,155	44,479	18,331	26,148
1971 8/	34,915	14,575	50,340	19,593	30,747
1972	40,289	14,250	55,818	22,151	33,667
1973	48,866	14,480	61,983	23,412	38,571
1974	54,874	14,533	71,636	24,955	46,681
1975	52,051	18,179	75,883	26,845	49,038
1976	56,589	18,166	76,222	26,319	49,903
1976 MAR	50,588	16,779	71,702	24,642	47,060
APR	51,747	16,082	69,770	23,375	46,395
MAY	51,043	15,415	69,461	23,140	46,321
JUNE	53,815	16,083	73,621	25,537	48,084
JULY	50,786	15,977	70,773	24,116	46,657
AUG	52,240	16,406	69,572	23,546	46,024
SEPT	54,275	16,030	71,172	24,310	46,862
OCT	53,509	15,747	72,052	25,470	46,582
NOV	53,783	16,035	71,712	25,445	46,267
DEC	56,589	18,166	76,222	26,319	49,903
1977 JAN	53,242	16,496	72,584	24,423	48,161
FEB	54,366	15,807	72,951	25,341	47,610
MAR	55,346	16,933	75,260	25,898	49,362
APR	56,081	16,526	76,110	26,204	48,906
MAY	57,712	15,947	75,176	25,791	49,385
JUNE	59,892	17,487	76,713	26,339	50,374
JULY	59,369	16,988	77,274	26,904	50,370
AUG	60,449	16,449	78,719	27,919	50,800

FOR FOOTNOTES, SEE END OF SECTION

E-13

IDAHO
LOANS, INVESTMENTS AND DEPOSITS - MEMBER BANKS
MILLIONS OF DOLLARS
NOT SEASONALLY ADJUSTED

LAST WED		TOTAL LOANS	TOTAL INVESTMENTS	TOTAL DEPOSITS	DEMAND	TIME AND SAVINGS
1967		574	284	926	470	456
1968		631	304	1,010	498	512
1969		696	299	1,074	535	539
1970		761	343	1,146	536	610
1971	8/	858	410	1,307	588	719
1972		1,025	435	1,562	700	862
1973		1,228	417	1,747	723	1,024
1974		1,434	490	2,016	826	1,190
1975		1,510	575	2,151	825	1,326
1976		1,754	615	2,384	850	1,534
1976	MAR	1,496	596	2,151	731	1,420
	APR	1,582	586	2,161	732	1,492
	MAY	1,625	571	2,179	739	1,440
	JUNE	1,648	556	2,509	765	1,448
	JULY	1,658	560	2,244	777	1,467
	AUG	1,661	580	2,247	777	1,470
	SEPT	1,695	570	2,272	782	1,490
	OCT	1,731	597	2,318	823	1,495
	NOV	1,708	592	2,354	837	1,517
	DEC	1,754	615	2,384	850	1,534
1977	JAN	1,754	601	2,419	854	1,565
	FEB	1,738	610	2,397	795	1,602
	MAR	1,720	636	2,381	774	1,607
	APR	1,745	642	2,431	832	1,599
	MAY	1,771	627	2,392	797	1,595
	JUNE	1,859	608	2,413	807	1,606
	JULY	1,899	630	2,532	885	1,647
	AUG	1,915	631	2,536	880	1,656

NEVADA
 LOANS, INVESTMENTS AND DEPOSITS - MEMBER BANKS
 MILLIONS OF DOLLARS
 NOT SEASONALLY ADJUSTED

LAST WED	TOTAL LOANS	TOTAL INVESTMENTS	TOTAL DEPOSITS	DEMAND	TIME AND SAVINGS
1967	432	252	702	340	362
1968	469	277	821	401	420
1969	560	235	841	401	440
1970	621	290	952	419	533
1971 8/	702	376	1,120	484	636
1972	785	381	1,235	532	703
1973	933	373	1,400	585	815
1974	962	387	1,440	596	844
1975	999	465	1,555	630	925
1976	1,039	645	1,752	711	1,041
1976 MAR	989	571	1,620	616	1,004
APR	995	564	1,618	640	978
MAY	986	585	1,601	635	966
JUNE	1,036	550	1,661	680	981
JULY	1,038	563	1,687	690	997
AUG	1,023	584	1,724	677	1,047
SEPT	1,034	599	1,738	694	1,044
OCT	1,039	612	1,769	709	1,060
NOV	1,023	564	1,739	692	1,047
DEC	1,039	645	1,752	711	1,041
1977 JAN	1,081	592	1,709	676	1,033
FEB	1,076	581	1,731	706	1,025
MAR	1,133	577	1,757	720	1,037
APR	1,153	578	1,820	777	1,043
MAY	1,146	569	1,800	748	1,052
JUNE	1,204	561	1,844	796	1,048
JULY	1,219	575	1,880	809	1,071
AUG	1,247	581	1,896	825	1,071

FOR FOOTNOTES, SEE END OF SECTION

14
 OREGON
 LOANS, INVESTMENTS AND DEPOSITS - MEMBER BANKS
 MILLIONS OF DOLLARS
 NOT SEASONALLY ADJUSTED

LAST WED	TOTAL LOANS	TOTAL INVESTMENTS	TOTAL DEPOSITS	DEMAND	TIME AND SAVINGS
1967	1,788	874	2,925	1,247	1,678
1968	2,094	1,002	3,390	1,364	2,026
1969	2,252	788	3,160	1,360	1,800
1970	2,194	940	3,304	1,296	2,008
1971 8/	2,378	1,072	3,663	1,510	2,153
1972	2,811	1,089	4,094	1,724	2,370
1973	3,076	1,201	4,227	1,703	2,524
1974	3,196	1,098	4,364	1,811	2,553
1975	3,540	1,241	4,600	1,828	2,772
1976	3,564	1,317	5,020	1,967	3,053
1976 MAR	3,382	1,273	4,534	1,710	2,824
APR	3,399	1,327	4,501	1,699	2,802
MAY	3,293	1,327	4,507	1,689	2,818
JUNE	3,446	1,300	4,715	1,909	2,806
JULY	3,439	1,304	4,606	1,770	2,836
AUG	3,629	1,284	4,618	1,770	2,848
SEPT	3,432	1,321	4,776	1,908	2,868
OCT	3,405	1,295	4,825	1,917	2,908
NOV	3,430	1,313	4,897	1,912	2,985
DEC	3,564	1,317	5,020	1,967	3,053
1977 JAN	3,516	1,329	4,878	1,794	3,084
FEB	3,648	1,364	4,971	1,879	3,092
MAR	3,722	1,390	5,006	1,905	3,101
APR	3,580	1,388	5,027	1,940	3,087
MAY	3,660	1,392	4,986	1,884	3,102
JUNE	3,777	1,344	5,120	1,990	3,130
JULY	3,813	1,365	5,230	2,056	3,174
AUG	3,809	1,349	5,238	2,041	3,197

BANKING

UTAH
LOANS, INVESTMENTS AND DEPOSITS - MEMBER BANKS
MILLIONS OF DOLLARS
NOT SEASONALLY ADJUSTED

LAST WED	TOTAL LOANS	TOTAL INVESTMENTS	TOTAL DEPOSITS	DEMAND	TIME AND SAVINGS
1967	738	347	1,170	520	650
1968	811	325	1,294	604	690
1969	832	288	1,231	620	611
1970	934	332	1,307	608	699
1971 8/	1,005	424	1,489	667	822
1972	1,231	416	1,692	823	869
1973	1,392	414	1,838	788	1,050
1974	1,452	445	2,073	889	1,184
1975	1,613	602	2,346	952	1,394
1976	2,091	746	2,834	1,015	1,819
1976 MAR	1,604	639	2,240	792	1,448
APR	1,570	670	2,246	796	1,450
MAY	1,679	727	2,386	826	1,560
JUNE	1,773	678	2,488	966	1,522
JULY	1,744	680	2,433	884	1,549
AUG	1,766	718	2,422	849	1,573
SEPT	1,937	259	2,651	968	1,683
OCT	1,974	733	2,696	1,001	1,695
NOV	1,978	734	2,719	1,020	1,699
DEC	2,091	746	2,834	1,015	1,819
1977 JAN	2,077	734	2,774	939	1,835
FEB	2,056	721	2,806	956	1,850
MAR	2,135	714	2,858	969	1,889
APR	2,194	725	2,873	995	1,878
MAY	2,239	724	2,806	967	1,839
JUNE	2,251	733	2,903	1,011	1,875
JULY	2,279	723	3,063	1,082	1,981
AUG	2,360	716	3,044	1,048	1,996

FOR FOOTNOTES, SEE END OF SECTION

E-17

14
 WASHINGTON
 LOANS, INVESTMENTS AND DEPOSITS - MEMBER BANKS
 MILLIONS OF DOLLARS
 NOT SEASONALLY ADJUSTED

LAST WED	TOTAL LOANS	TOTAL INVESTMENTS	TOTAL DEPOSITS	DEMAND	TIME AND SAVINGS
1967	2,618	1,258	4,271	2,193	2,078
1968	2,981	1,235	4,697	2,366	2,331
1969	3,238	1,134	4,681	2,350	2,331
1970	3,780	1,394	5,065	2,338	2,727
1971	3,964	1,383	5,345	2,386	2,959
1972	4,725	1,499	6,029	2,624	3,405
1973	5,472	1,510	6,588	2,804	3,784
1974	6,402	1,524	7,737	3,163	4,573
1975	6,569	1,644	8,523	3,497	5,026
1976	7,388	1,865	9,181	3,658	5,523
1976 MAR	6,440	1,708	8,275	3,255	5,020
APR	6,538	1,767	8,101	3,110	4,991
MAY	6,545	1,747	8,086	2,994	5,092
JUNE	6,872	1,704	8,478	3,382	5,096
JULY	6,699	1,775	8,247	3,088	5,159
AUG	6,879	1,763	8,444	3,222	5,222
SEPT	6,981	1,753	8,697	3,332	5,365
OCT	6,992	1,745	8,876	3,469	5,407
NOV	7,012	1,836	8,842	3,345	5,497
DEC	7,388	1,865	9,181	3,658	5,523
1977 JAN	7,239	1,756	8,907	3,389	5,518
FEB	7,063	1,833	8,961	3,434	5,527
MAR	7,498	1,837	9,189	3,476	5,713
APR	7,636	1,774	9,327	3,624	5,701
MAY	7,727	1,671	9,287	3,478	5,809
JUNE	7,944	1,672	9,459	3,584	5,875
JULY	7,955	1,653	9,494	3,569	5,925
AUG	8,135	1,691	9,770	3,802	5,968

BANKING

TWELFTH DISTRICT
 OUTSTANDING CONSUMER CREDIT -- ALL COMMERCIAL BANKS
 MILLIONS OF DOLLARS
 SEASONALLY ADJUSTED

----- CONSUMER INSTALMENT CREDIT -----										
END OF PERIOD	TOTAL INSTALMENT CREDIT	--- AUTOMOBILE PAPER ---		BANK CREDIT CARD PLANS	CHECK CREDIT & RELATED PLANS	HOME IMPROVEMENT PAPER	MOBILE HOMES PAPER	OTHER RETAIL CONSUMER GOODS	PERSONAL LOANS	SINGLE PAYMENT LOANS
		PURCHASED PAPER	DIRECTLY PLACED							
1967	NA	NA	NA	NA	NA	NA	NA	NA	NA	NA
1968	5,294	2,598	633	508	170	480	NA	NA	905	743
1969	5,780	2,719	702	661	222	539	NA	NA	937	938
1970	5,808	2,552	663	798	287	537	NA	NA	971	831
1971	7,757	2,692	797	980	297	548	727	622	1,094	920
1972	9,396	3,174	941	1,194	384	652	1,082	716	1,253	941
1973	11,007	3,476	1,066	1,502	533	745	1,387	921	1,377	940
1974	11,837	3,466	1,011	1,893	586	859	1,609	977	1,436	840
1975	12,778	3,487	1,086	2,182	606	904	1,651	1,130	1,732	853
1976	14,101	3,785	1,287	2,503	660	1,001	1,621	1,223	2,022	858
1976 MAR	12,337	3,334	1,041	2,170	594	914	1,697	1,016	1,571	703
1976 APR	12,432	3,384	1,042	2,208	594	914	1,699	1,012	1,579	697
1976 MAY	13,304	3,625	1,110	2,360	626	950	1,654	1,133	1,846	831
1976 JUN	13,347	3,625	1,136	2,366	623	958	1,653	1,128	1,858	842
1976 JULY	13,442	3,631	1,157	2,408	624	964	1,634	1,136	1,887	865
1976 AUG	13,574	3,667	1,179	2,446	631	967	1,634	1,146	1,904	865
1976 SEPT	13,720	3,689	1,203	2,503	635	973	1,618	1,157	1,943	854
1976 OCT	13,875	3,719	1,229	2,526	645	982	1,607	1,172	1,998	881
1976 NOV	13,943	3,720	1,254	2,526	651	991	1,609	1,192	2,001	848
1976 DEC	14,101	3,785	1,287	2,503	660	1,001	1,621	1,223	2,022	858
1977 JAN	14,244	3,804	1,309	2,538	656	1,022	1,622	1,238	2,056	877
1977 FEB	14,412	3,845	1,324	2,586	666	1,032	1,635	1,240	2,084	885
1977 MAR	14,694	3,949	1,363	2,637	685	1,049	1,638	1,247	2,126	901
1977 APR	14,917	3,999	1,380	2,720	695	1,058	1,659	1,263	2,143	904
1977 MAY	15,124	4,029	1,393	2,776	735	1,070	1,660	1,273	2,168	918
1977 JUNE	16,123	4,273	1,497	2,897	779	1,100	1,855	1,440	2,280	1,029
1977 JULY	16,412	4,327	1,522	2,957	821	1,119	1,875	1,480	2,312	1,040

BANKING

FOR FOOTNOTES, SEE END OF SECTION

TWELFTH DISTRICT
VOLUME OF CONSUMER CREDIT EXTENDED -- ALL COMMERCIAL BANKS
MILLIONS OF DOLLARS
SEASONALLY ADJUSTED

		CONSUMER INSTALMENT CREDIT								
PERIOD	TOTAL INSTALMENT CREDIT	--- AUTOMOBILE PAPER ---		BANK CREDIT CARD PLANS	CHECK CREDIT & RELATED PLANS	HOME IMPROVEMENT PAPER	MOBILE HOMES PAPER	OTHER RETAIL CONSUMER GOODS	PERSONAL LOANS	SINGLE PAYMENT LOANS
		PURCHASED PAPER	DIRECTLY PLACED							
1967	NA	NA	NA	NA	NA	NA	NA	NA	NA	NA
1968	507	207	57	89	43	27	NA	NA	84	NA
1969	515	191	53	118	45	22	NA	NA	86	NA
1970	539	164	47	151	51	20	NA	NA	106	NA
1971	796	220	71	197	53	25	46	72	112	NA
1972	938	264	78	254	64	34	64	65	115	NA
1973	977	230	65	333	79	30	67	62	111	NA
1974	1,019	227	62	411	78	36	42	51	112	NA
1975	1,389	308	96	493	98	45	49	99	201	NA
1976	1,531	328	119	578	98	53	45	111	198	NA
1976	MAR	1,283	250	85	605	87	46	62	111	NA
	APR	1,238	274	80	537	89	37	56	119	NA
	MAY	1,410	275	91	627	112	38	72	152	NA
	JUNE	1,333	245	95	579	110	41	65	152	NA
	JULY	1,418	258	111	629	101	42	38	82	NA
	AUG	1,474	305	109	647	103	39	36	73	NA
	SEPT	1,415	299	111	590	75	42	51	90	NA
	OCT	1,472	294	115	613	99	53	32	92	NA
	NOV	1,407	266	100	592	92	46	48	94	NA
	DEC	1,531	328	119	578	98	53	45	111	NA
1977	JAN	1,419	268	112	555	103	62	79	195	NA
	FEB	1,557	322	108	658	106	52	86	180	NA
	MAR	1,678	354	119	690	107	55	63	202	NA
	APR	1,660	313	111	722	100	51	65	199	NA
	MAY	1,606	303	109	665	114	56	65	76	NA
	JUNE	1,695	322	125	706	128	62	59	89	NA
	JULY	1,754	338	128	727	134	58	73	101	NA

BANKING

SECTION: E

1/ DATA ARE FOR LAST WEDNESDAY OF MONTH AND ARE PARTIALLY ESTIMATED EXCEPT FOR JUNE AND DECEMBER WHICH ARE BASED ON MONTH-END CALL REPORTS. ALL SERIES HAVE BEEN REVISED FROM 1961 TO DATE DUE TO THE APPLICATION OF A NEW ESTIMATING PROCEDURE AND REVISED SEASONAL FACTORS. A BENCHMARK HAS BEEN MADE TO THE DECEMBER 31, 1976 CALL REPORT AND DATA HAVE BEEN REVISED FROM JANUARY 1976 FORWARD FOR REVISED SEASONAL FACTORS.

2/ GROSS LOANS ADJUSTED TO EXCLUDE DOMESTIC INTERBANK LOANS.

3/ GROSS LOANS ADJUSTED TO EXCLUDE DOMESTIC INTERBANK LOANS AND LOANS TO BROKERS AND DEALERS AND OTHERS FOR PURCHASING AND CARRYING SECURITIES.

4/ RESIDUAL SERIES.

5/ ALL DEMAND DEPOSITS EXCEPT U S GOVT AND DOMESTIC COMMERCIAL BANKS, LESS CASH ITEMS IN PROCESS OF COLLECTION.

6/ BEGINNING JUNE 30, 1966, LOANS TO FARMERS DIRECTLY GUARANTEED BY CCC AND EXPORT-IMPORT BANK PORTFOLIO FUND PARTICIPATIONS TOTALING AN ESTIMATED \$122 MILLION FOR ALL COMMERCIAL BANKS IN THE TWELFTH DISTRICT ARE INCLUDED IN OTHER SECURITIES RATHER THAN LOANS.

7/ BEGINNING JUNE 30, 1969, DATA INCLUDE ALL BANK PREMISE SUBSIDIARIES AND OTHER MAJORITY-OWNED DOMESTIC SUBSIDIARIES.

8/ BEGINNING JUNE 30, 1971, FARMERS HOME ADMINISTRATION NOTES TOTALING AN ESTIMATED \$37 MILLION FOR ALL COMMERCIAL BANKS IN THE TWELFTH DISTRICT ARE INCLUDED IN OTHER SECURITIES RATHER THAN LOANS.

9/ DEPOSITS SUBJECT TO RESERVE REQUIREMENTS AS DEFINED BY REGULATION D. WEEKLY AVERAGES OF DAILY FIGURES.

10/ DATA ARE NOT COMPARABLE OVER TIME DUE TO THE WITHDRAWAL FROM THE SYSTEM ON JANUARY 2, 1969 AND OCTOBER 1, 1975 OF LARGE MEMBER BANKS.

11/ INCLUDES SECURITIES PURCHASED UNDER AGREEMENTS TO RESELL.

12/ CERTIFICATES OF DEPOSIT ISSUED IN DENOMINATIONS OF \$100,000 OR MORE.

13/ BEGINNING JUNE 30, 1969, LOANS AND INVESTMENTS ARE REPORTED GROSS, BEFORE DEDUCTION OF VALUATION RESERVES, RATHER THAN NET OF SUCH RESERVES AS WAS DONE PREVIOUSLY.

14/ WITHDRAWALS AND NEW MEMBERSHIPS HAVE AFFECTED THE SERIES OVER TIME. ALSO SEE FOOTNOTES 7 AND 13.

15/ PRIOR TO 1969 HAWAII BANKS ARE INCLUDED IN THE DISTRICT TOTAL; AFTER THAT DATE DATA FOR ONE HAWAIIAN BANK ARE INCLUDED IN THE CALIFORNIA SERIES.

16/ RATES ON LOANS MADE DURING THE FIRST FIFTEEN DAYS OF THE MONTH.

17/ PRIOR TO FEBRUARY 1971 RATE IS UNWEIGHTED.

18/ BEGINNING IN FEBRUARY 1971 DATA EXCLUDE ACCOUNTS RECEIVABLE LOANS.

19/ DATA PRIOR TO 1973 HAVE BEEN ADJUSTED AND NOW INCLUDE THE CUMULATIVE AMOUNTS OF DEDUCTIONS PREVIOUSLY MADE TO REMOVE THE EFFECT OF 1972 AND 1971 BANK MERGERS WITH THE REPORTING BANK PANEL.

20/ TOTALS MAY NOT ADD DUE TO ROUNDING.

SOURCE: TWELFTH DISTRICT DATA, FEDERAL RESERVE BANK OF SAN FRANCISCO; UNITED STATES DATA, FEDERAL RESERVE BOARD OF GOVERNORS.

BANKING

E -22

zed for FRASER

TWELFTH FEDERAL RESERVE DISTRICT

Data shown in this publication are statewide totals for the nine Western states.

Cities on map indicate location of Federal Reserve Offices.



Federal Reserve Bank of San Francisco
Post Office Box 7702
San Francisco, Calif. 94120

BULK RATE
U.S. POSTAGE
PAID
PERMIT 752
San Francisco, Calif.

Address Correction Requested